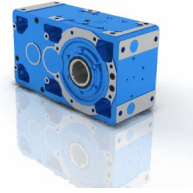


**3Dfindit**

powered by  **CADENAS**



**R C2I 140-401**

# CONTENT

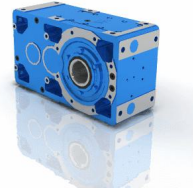
---

Augmented Reality (AR) - Digital meets real	2
3D preview of R C2I 140-401	3
Integrate Rossi catalog inside your CAD System	4
2D derivations and Bill-Of-Material (BOM)	5
Technical drawings	6
Technical data	7
Get a free E-Learning training for Rossi catalog	8



# 3Dfindit

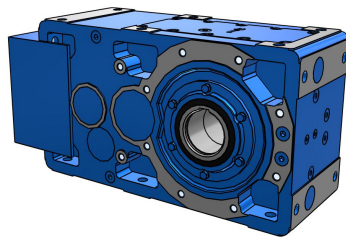
powered by  CADENAS



## R C2I 140-401

## AR

Augmented Reality, often shortened to AR, is a technology that blends digital information into the real world. For more information, please click [here](#) or directly try yourself by scanning the QR code with your phone.



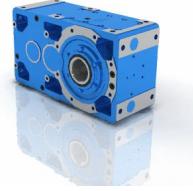
Please scan the QR code above and open on AR-enabled device.

There is a possibility that the configuration will fail. If that happens, please try a different product.



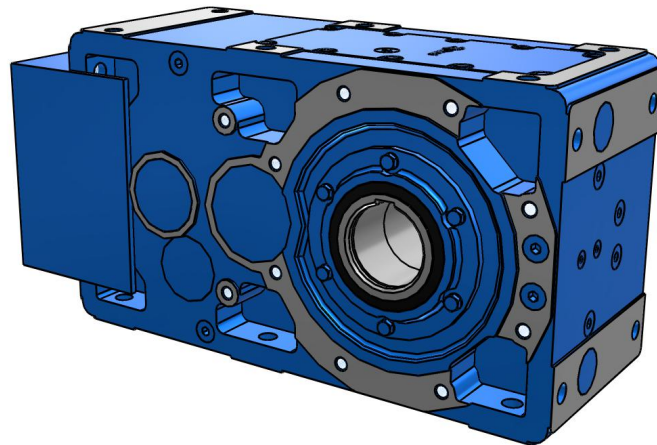
# 3Dfindit

powered by  CADENAS



## R C2I 140-401

### 3D view



## HOW TO ACTIVATE 3D?

To activate the interactive 3D view in Acrobat Reader, you need to select, at the top of the page, **Options** and then **Trust this document**

#### Zoom

Moves you toward or away from objects in the scene when you drag vertically. You can also zoom with the hand tool by holding down Shift as you drag.

#### Pan

Moves the model vertically and horizontally only. You can also pan with the hand tool: Ctrl-drag.

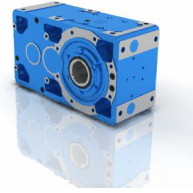
#### Rotate

Turns 3D objects around relative to the screen. How the objects move depends on the starting view, where you start dragging and the direction in which you drag.



# 3Dfindit

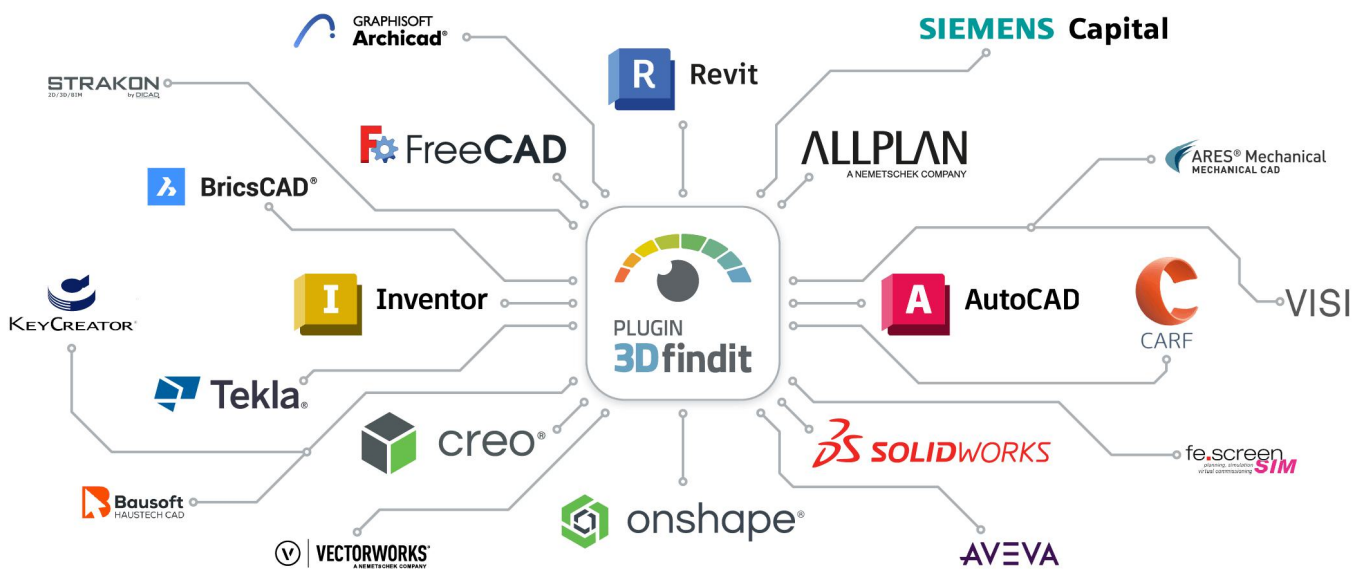
powered by  CADENAS



## R C2I 140-401

## CAD plugins

With our CAD integrations, you can use 3Dfindit directly in your CAD system and make your work easier with additional comfort functions, such as replacing a part and many more.

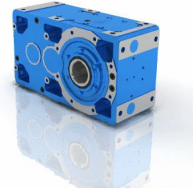


# To the plugins



# 3Dfindit

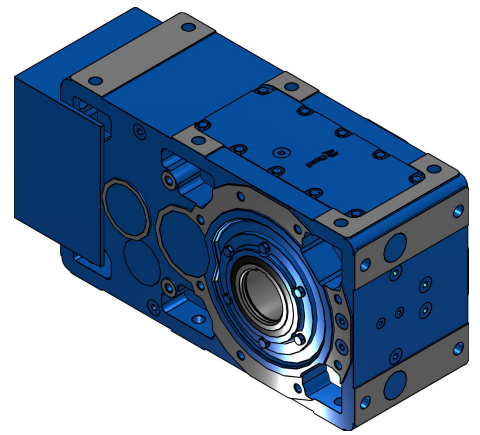
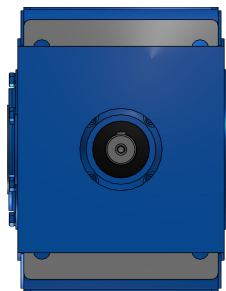
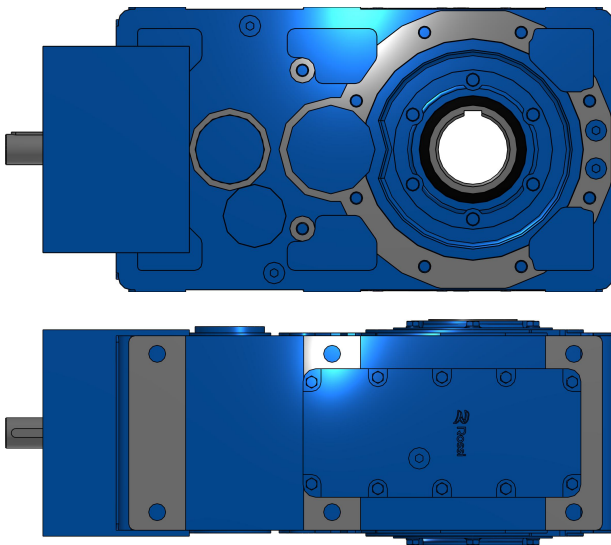
powered by  CADENAS



## R C2I 140-401

### 2D derivation

### ISO view



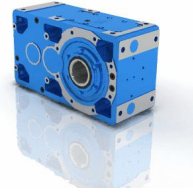
## Bill-Of-Materials

N°	Description	Amount
1	G_R_C2I_225_UO2A_19.9_B3__DA1__RV__	1



**3Dfindit**

powered by  **CADENAS**



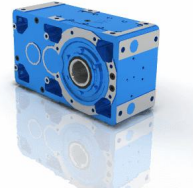
**R C2I 140-401**

## Technical drawings



# 3Dfindit

powered by  CADENAS

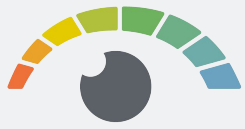


## R C2I 140-401

### Technical data

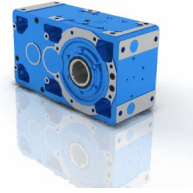
A1 (Machine)	R
A2 (Train of gears)	C2I
A3 (Size)	225
A4 (Design)	UO2A
A6 (Transmission ratio)	19.90
A7 (Mounting position)	B3
A8 (Low speed shaft)	No
A9 (B5 flange)	No
A10 (Backstop device)	Backstop device white arrow free-rotation (DA1)
A12 (Shaft mounting arrangements)	No
A13 (Fan cooling)	Fan cooling (RV)
A14 (Internal heat exchanger)	No
A15 (Washer/Protection)	No
A16 (Agitators)	No





# 3Dfindit

powered by  CADENAS



R C2I 140-401

## E-Learning

Discover free training for 3Dfindit, the search engine for engineers, designers, and architects. Our 30 to 50-minute interactive courses provide you with comprehensive knowledge about the platform. Upon successful completion, you will receive a certificate. Start your first course now and master 3Dfindit!

**Become an Expert of Digital Engineering**



**3Dfindit**

**Boost your career and get ready for Industry 4.0!**

[Learn more](#)

[Start course](#)

[www.CADENAS.de](http://www.CADENAS.de)  
[www.3Dfindit.com](http://www.3Dfindit.com)

◀ VISIT US AT [3Dfindit.com](http://3Dfindit.com) NOW!