

Hydraulic lock nut DK92-Z

With pressure indicator,
hydraulic retract

POLYMA-SICCA

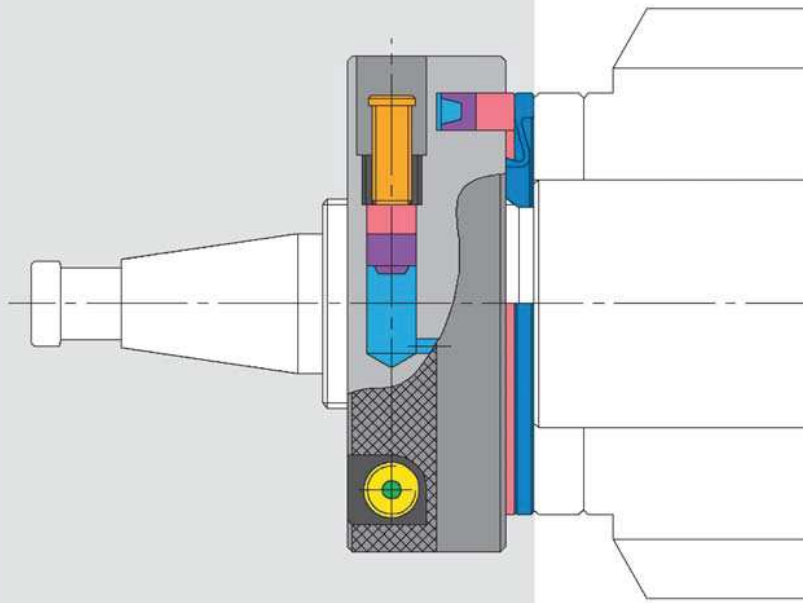
ALBERT SCHREM Werkzeugfabrik GmbH

Ulmer Straße 56 · D-89537 Giengen/Brenz

PO Box 1504 · D-89530 Giengen/Brenz

Telephone +49 (0) 73 22-60 06 · Telefax +49 (0) 73 22-60 08

info@schrem-tools.com · www.schrem-tools.com



Technical Data

For the standard version:

Order No.	Thread mm	Arbor diameter to		Max. clamping force kN	Marked ring	Pressure indicator	
		mm	inch			Clamping force kN	Clamping force lbs
DK92-Z027	M24x1,5LH	27	1.0	50	1	40	11000
DK92-Z032	M30x1,5LH	32	1.25	60	1/2	30/60	6600/13200
DK92-Z040	M36x2,0LH	40	1.5	70	1/2	30/70	6600/15400
DK92-Z050	M42x2,0LH	50	2.0	80	1/2	40/80	8800/17600
DK92-Z060	M52x2,0LH	60	2.375	100	1/2	60/100	13200/22000

For an additional charge, threads can be made according to your instructions. In this case, the order data is as follows:

DK92-Z127	to 24	27	1.0	50	1	40	11000
DK92-Z132	to 30	32	1.25	60	1/2	30/60	6600/13200
DK92-Z140	to 36	40	1.5	70	1/2	30/70	6600/15400
DK92-Z150	to 42	50	2.0	80	1/2	40/80	8800/17600
DK92-Z160	to 52	60	2.375	100	1/2	60/100	13200/22000

Dimensions

Order No.	Dimensions (mm)				
	Ø D	Ø d ₁	Ø d ₂	Ø d ₃	L
DK92-Z027 / DK92-Z127	to 24	52	44	65	36
DK92-Z032 / DK92-Z132	to 30	56	50	70	36
DK92-Z040 / DK92-Z140	to 36	62	56	76	36
DK92-Z050 / DK92-Z150	to 42	74	62	86	36
DK92-Z060 / DK92-Z160	to 52	85	72	100	36

