

F420

Compact leak detector for production testing



- ✓ COMPACT FORMAT
- ✓ ENTRY LEVEL INSTRUMENT
- ✓ EXCELLENT VALUE
- ✓ SIMPLIFIED SETUP

5 SERIES

Without any doubt the smallest entry level leak detector on the market.

The F420 is equipped with the technical innovations of the 5 series and allows basic leak testing at a very competitive price.



Main Features

- Pressure decay leak testing
- Wide range of measurement from 500 Pa to 100 kPa
- Test modes:
 - ΔP (Pa, $1/10$ Pa)
 - $\Delta P / Dt$ (Pa/s, $1/10$ Pa/s)
 - flow units (mm³/s, cm³/s, cm³/min, cm³/h)
 - blockage test
 - and others depending on your application
- 4 programs
- **Serial link:** RS232: printer, P.C. and memory modules
- **And:** Time and ate display, choice of languages and units, customisation of the test, ...



Applications



Automotive: shock absorbers, gearboxes, tank caps, carburettors, non return valves, cylinder heads, filters, radiators, seals, cylinders, engine oil and water circuits...

Domestic appliances: bottles, percolators, cookers, steam irons, ovens, washing machines...

Medical: catheters, dialysis equipment, micropipettes, plastic taps, drain bags, syringes, valves...

Packaging: aerosol cans and valves, trigger pumps, ink cartridges, cosmetic bottles, food sachets...

Options

3 inputs / 4 outputs

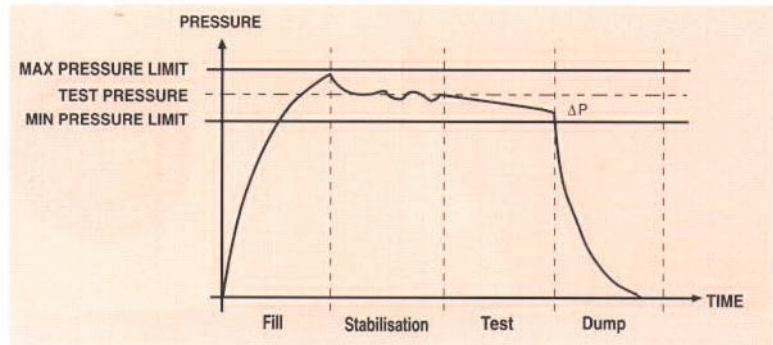
2 pneumatic outputs for the piloting of seal jigs



Measurement principle



2 function remote control (accessories)

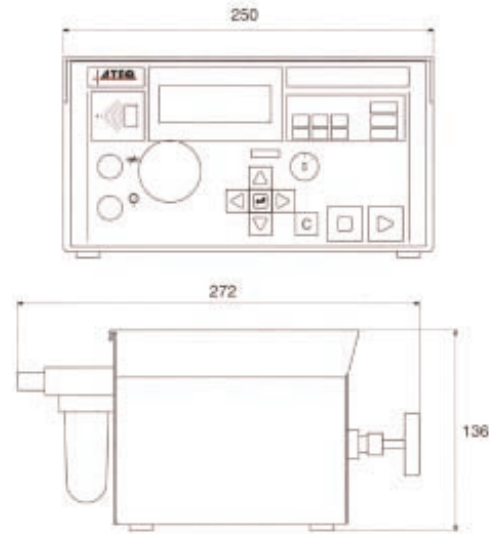


Measurement Ranges

PRESSURE MEASUREMENT			
RANGE	EXTENT	ACCURACY	MAX RESOLUTION
-800 > -20 mbar	1 > 500 Pa	4% of the full scale	1 Pa
	10 > 1000 Pa		
	10 > 5000 Pa		
	10 > 10000 Pa		
50 > 500 mbar	1 > 500 Pa	4% of the full scale	1 Pa
	10 > 1000 Pa		
	10 > 5000 Pa		
	10 > 10000 Pa		
0,2 > 4 bar	10 > 1000 Pa	4% of the full scale	10 Pa
	10 > 5000 Pa		
	10 > 10000 Pa		
	10 > 50000 Pa		
0,5 > 9 bar	10 > 5000 Pa	4% of the full scale	10 Pa
	10 > 10000 Pa		
	10 > 50000 Pa		
	10 > 100000 Pa		

MECHANICAL PRESSURE REGULATION

vacuum - 500 mbar - 5 bar - 9 bar



Technical Specifications

- **Physical**
Weight: about 7 kg
- **Interface**
Navigation keys
4 line LCD display
Results indicators
- **External power supply**
Voltage: 24 V DC / 1,6 A
Mains adapter included 100 - 240 V AC
- **Air supply**
Clean and dry air required
Air quality standard to be applied (ISO 8573-1)
- **Temperature**
Operation : + 10°C to + 45°C
Storage : 0°C to + 60°C

- Accessories**

 - Start/Reset remote control
 - Printer
 - Needle valve
 - Calibrated master leak
 - Filtration kit
 - Sealing connectors
 - Please refer to ATEQ accessories list

