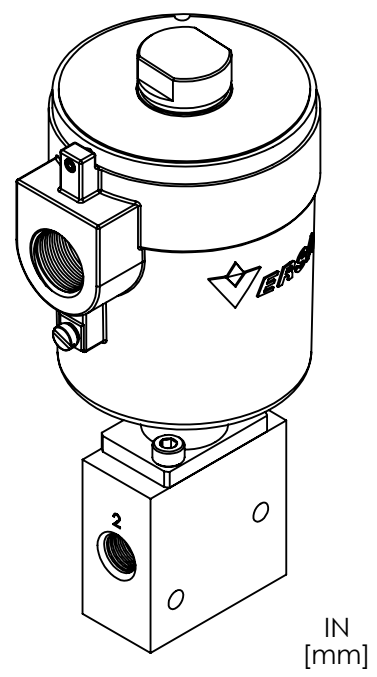
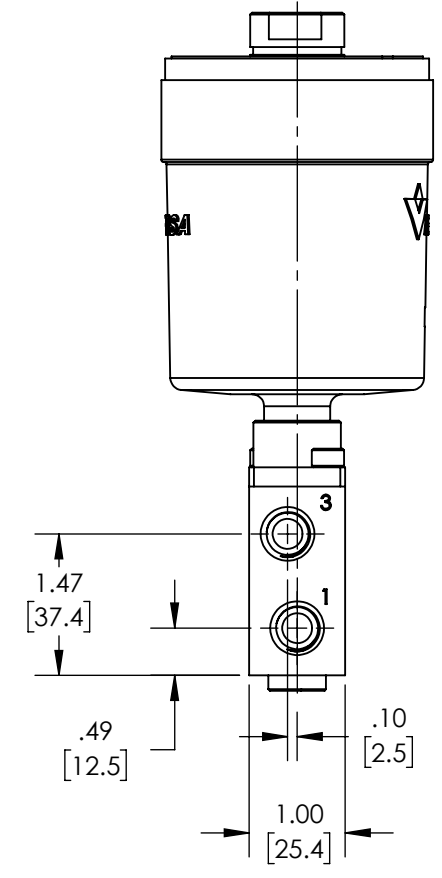
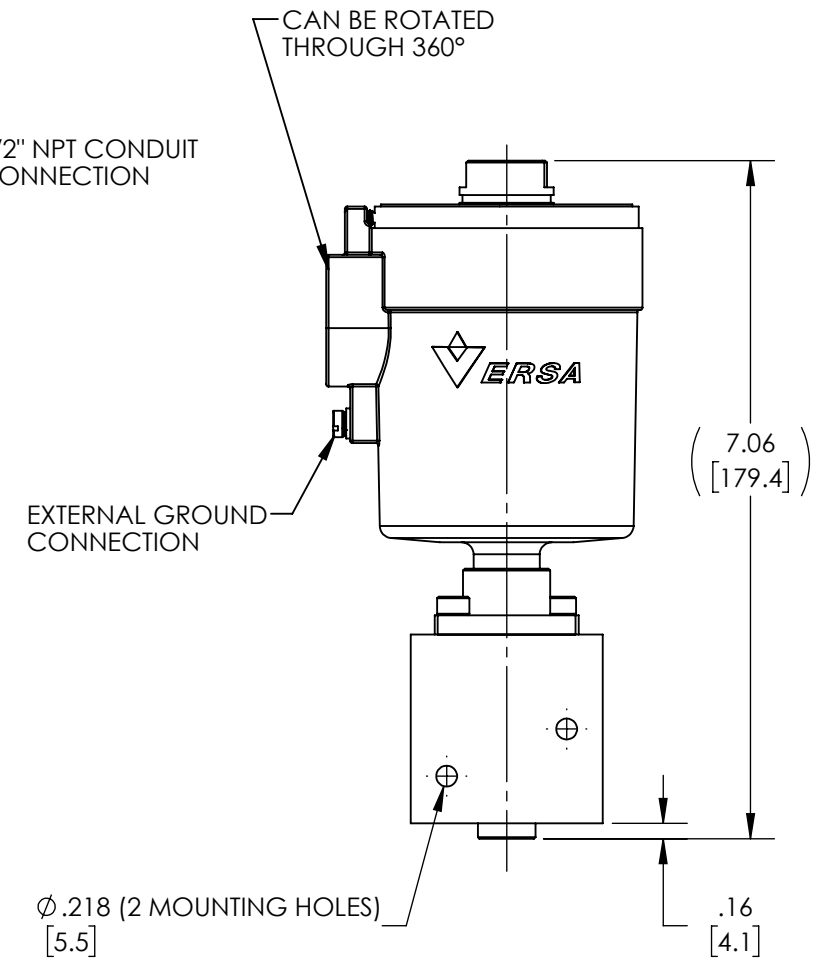
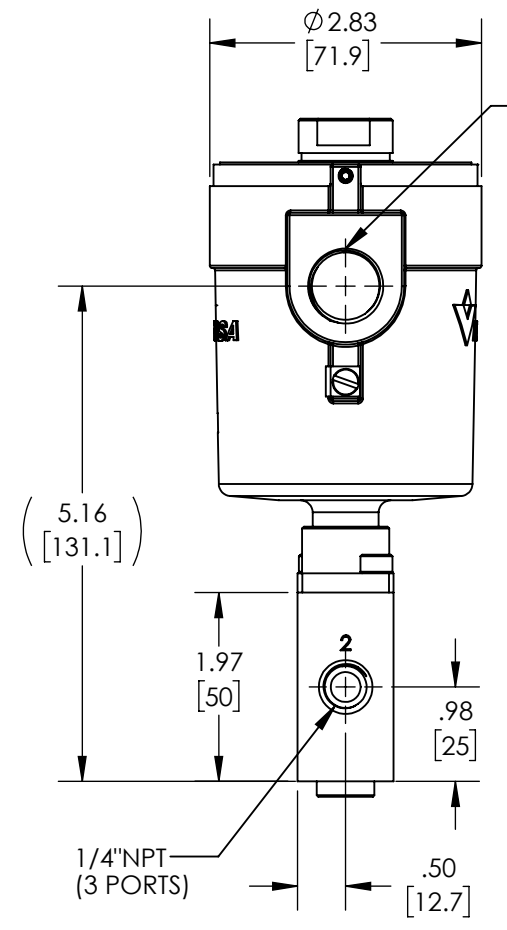
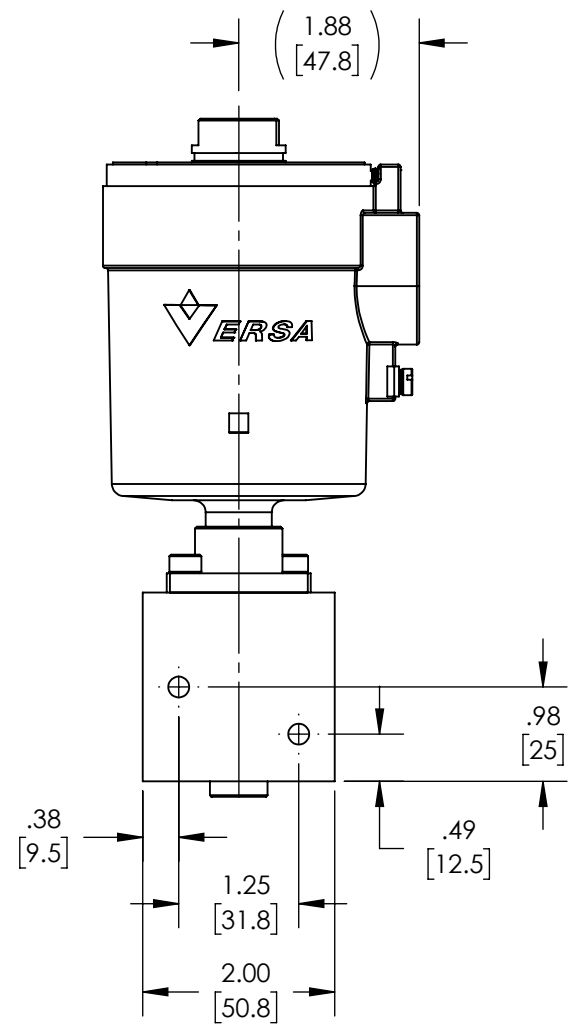
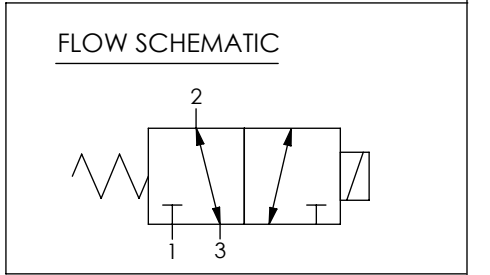


DWG. NO.
DSM-3301-316-XDDT-VOLT

NOTE: -VOLT = SPECIFY VOLTAGE CODE TO COMPLETE PART NUMBER
OPERATING PRESSURE: VACUUM TO 175 PSIG (12 bar)



IN
[mm]

DRAWN BY NL 10-16-17	CHECKED BY AP 10-16-17	ENG APP'D BN 10-16-17	ORIG EWR 17574	TITLE DIRECT ACTING VALVE ASSEMBLY
MATL N/A	SCALE 1:2		DWG SIZE B	
HARDNESS N/A	UNLESS OTHERWISE SPECIFIED 2 PLACE DECIMAL ±.01 ANGULAR DIMENSIONS ±1/2° 3 PLACE DECIMAL ±.003 DIA'S ON SAME CENTERLINE CONCENTRIC WITHIN .006 T.I.R., MACHINED SURFACES FINISHED TO 64 R.M.S. MAX. SEE ENG-41 FOR ALL OTHER WORKMANSHIP GUIDELINES.			 VERSA PRODUCTS CO., INC. PARAMUS, N.J., U.S.A. VERSA BV, NETHERLANDS DWG. NO. DSM-3301-316-XDDT-VOLT
HEAT TREAT N/A	DO NOT SCALE DRAWING THIS DRAWING IS CAD GENERATED AND THE PROPERTY OF VERSA PRODUCTS CO., INC. USE AND/OR REPRODUCTION OF ANY PORTION MUST BE WITH THE APPROVAL OF VERSA			
LTR	REVD/CKD BY	DESCRIPTION	EWR NO/APPD BY	FINAL FINISH
A	NL 10-16-17	INITIAL RELEASE.	17574	N/A
	AP 10-16-17		BN 10-16-17	