



Gold Box LINEAR REGULATED AC-DC single output Series A & B

- Shipped Within 3 Days
- All Models U.L. Recognized
- CE Certified
- Five Year Warranty



Don't forget these facts about Acopian....

- Fast Shipping? Acopian invented it! For over half a century, Acopian has built and shipped thousands of power supplies within 3-DAYS after receipt of order. And we still do today! View our 3-DAY Shipping Promise: www.acopian.com/3dayship.html
- You ALWAYS talk to a real person when you call Acopian.
- Acopian power supplies last a *very long time!*
- You can email 3day@acopian.com anytime for 24/7 product support.
- The *Online System Builder* (www.acopian.com/SystemBuilder) is a convenient way to get your own custom power supply or power system (and they ship within 9 Days).
- You can order Acopian power supplies factory direct.
- ALL Acopian products are made in the USA.



Easton, PA & Melbourne, FL
1-800-523-9478 • www.acopian.com
Order Factory Direct
Made in USA



Gold Box SINGLE OUTPUT

LINEAR REGULATED
AC-DC

SERIES A (High Performance)

- Shipped Within 3 Days
- All Models U.L. Recognized
- Five Year Warranty



SERIES A: HIGH PERFORMANCE POWER SUPPLIES

Series A power supplies offer unusually high performance—many models have regulation of $\pm 0.005\%$. Electronic current limiting and provision for remote voltage sensing are standard features; overvoltage protection is available as a built-in option. Rugged extruded aluminum cases include threaded mounting holes on bottom, back, and side, permitting mounting in any position.

STANDARD FEATURES

- Provision for remote sensing and/or external output adjustment
- Short circuit proof with automatic recovery (electronic current limiting)
- Can be mounted on any of three surfaces (case sizes H8, H11 and H16; two surfaces)

SPECIFICATIONS

Input Voltage: 105-125 VAC, 50-400 Hz, single phase.

Output Specifications: See pages F15 and F16. Series A supplies have model numbers beginning with the letter A.

Remote Voltage Adjustment/Sensing: Provision for sensing the output voltage across the load, so that drops in the load line are compensated, is a standard feature. This feature also permits the use of an externally located potentiometer to adjust output voltage.

Polarity: Output is floating; either positive or negative terminal may be grounded or floated up to 300 volts above ground.

Temperature Coefficient: 0.015%/°C (Typical).

Ambient Operating Temperature: -20 to +71°C.

Storage Temperature: -55 to +85°C.

Response Time: Less than 20 microseconds.

OPTIONS

Under/Overvoltage Alarm Contacts: To control a horn or light, or to signal your PLC. Available on models with nominal outputs of 5 Vdc to 125 Vdc. SPDT contacts switch if the power supply's output deviates by

1.0 volt or more: 5 volt models.

2.0 volts or more: 6 to 48 volt models.

3.0 volts or more: 50 to 125 volt models.

Contact ratings: 120 VAC, 8A / 60 Vdc, 1A. (To comply with SELV requirements, limit switched voltage to 60Vdc/42 VAC.) To order, add suffix "L" to model number and \$35.00 to price. Models with this option are not yet UL Recognized/CE certified.

Overvoltage Protection: An internal preset overvoltage protector is available. To order, add prefix "V" to the model number, and increase standard price as follows:

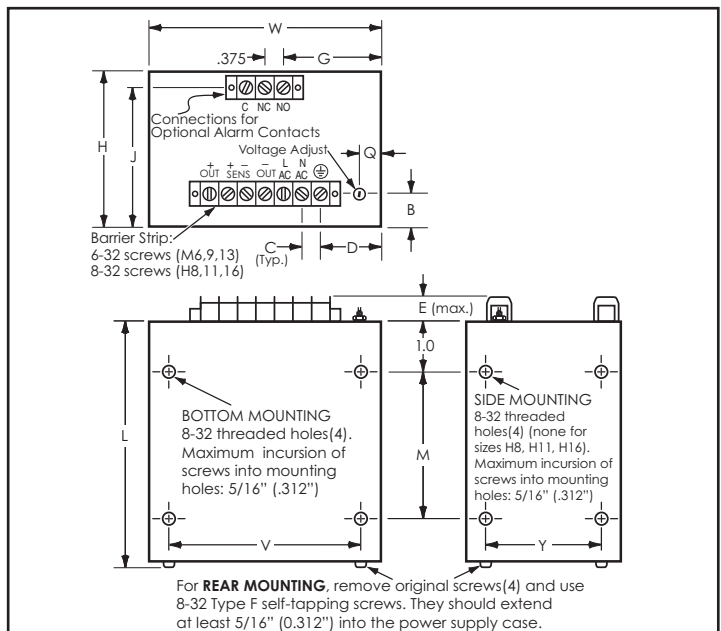
Outputs of	1.5-70V	75-150V
All case sizes except H16 . . .	\$25.00	\$35.00
Case size H16	\$75.00	\$85.00

Terminal Strip Cover: Clips on. To order, add suffix "M" to model number and \$5.00 to price.

230 Volt Input: All models can be alternately furnished for operation on inputs of 210-250 VAC, 50-400 Hz. To order, add suffix "-230" to model number and \$25.00 to price.

(For models in case sizes H8, H11 and H16, add \$40.00.) The "-230" option requires two additional days.

Mounting: Threaded mounting holes permit mounting to a chassis, cabinet wall or bracket. To mount from the power supply side of the mounting surface or for DIN rail mounting, see accessory Mounting Kits on page H3.



Case Size	L	W	H	M	V	Y	Q	B	E	C	D	G	J	Approx. Weight
M6	6.59	5.12	3.44	4.0	4.5	3.0	.5	.75	.58	.375	1.44	2.19	3.09	4 lb. 4 oz.
M9	9.25	5.12	3.44	6.0	4.5	3.0	.5	.75	.58	.375	1.44	2.19	3.09	7 lb. 4 oz.
M13	13.25	5.12	3.44	10.0	4.5	3.0	.5	.75	.58	.375	1.44	2.19	3.09	11 lb.
H8	8.75	7.37	5.12	6.0	6.75	4.56	1.12	1.25	.78	.562	2.25	3.57	4.72	15 lb. 8 oz.
H11	11.25	7.37	5.12	8.0	6.75	4.56	1.12	1.25	.78	.562	2.25	3.57	4.72	18 lb. 4 oz.
H16	16.00	7.37	5.12	11.0	6.75	4.56	1.12	1.25	.78	.562	2.25	3.57	4.72	26 lb.

All dimensions in inches.



Gold Box SINGLE OUTPUT LINEAR REGULATED AC-DC

SERIES B (General Purpose)

- Shipped Within 3 Days
- All Models U.L. Recognized
- Five Year Warranty



SERIES B: GENERAL PURPOSE POWER SUPPLIES

Series B power supplies are ideal for powering digital circuitry, test sets, instrument bridges, and process control transmitters. Many models have regulation of $\pm 0.1\%$ or better. All components are generously derated to insure a long and trouble-free life, and they use the same rugged construction as the Series A line. Overvoltage protection and other options are available.

STANDARD FEATURES

- Short circuit proof (electronic current limiting)
- May be mounted on any of three surfaces
- Completely serviceable

SPECIFICATIONS

Input Voltage: 105-125 VAC, 50-400 Hz, single phase.

Output Specifications: See pages F15 and F16. Series B supplies have model numbers beginning with the letter B.

Remote Voltage Adjustment/Sensing: Available as an option. See below.

Polarity: Output is floating; either positive or negative terminal may be grounded or floated up to 300 volts above ground.

Temperature Coefficient: 0.02%/°C (Typical).

Ambient Operating Temperature: 0 to +71°C.

Storage Temperature: -55 to +85°C.

OPTIONS

Under/Overvoltage Alarm Contacts: To control a horn or light, or to signal your PLC. Available on models with nominal outputs of 5 Vdc to 125 Vdc. SPDT contacts switch if the power supply's output deviates by

- 1.0 volt or more: 5 volt models.
- 2.0 volts or more: 6 to 48 volt models.
- 3.0 volts or more: 50 to 125 volt models.

Contact ratings: 120 VAC, 8A / 60 Vdc, 1A. (To comply with SELV requirements, limit switched voltage to 60Vdc/42 VAC.) To order, add suffix "L" to model number and \$35.00 to price. Models with this option are not yet UL Recognized/CE certified.

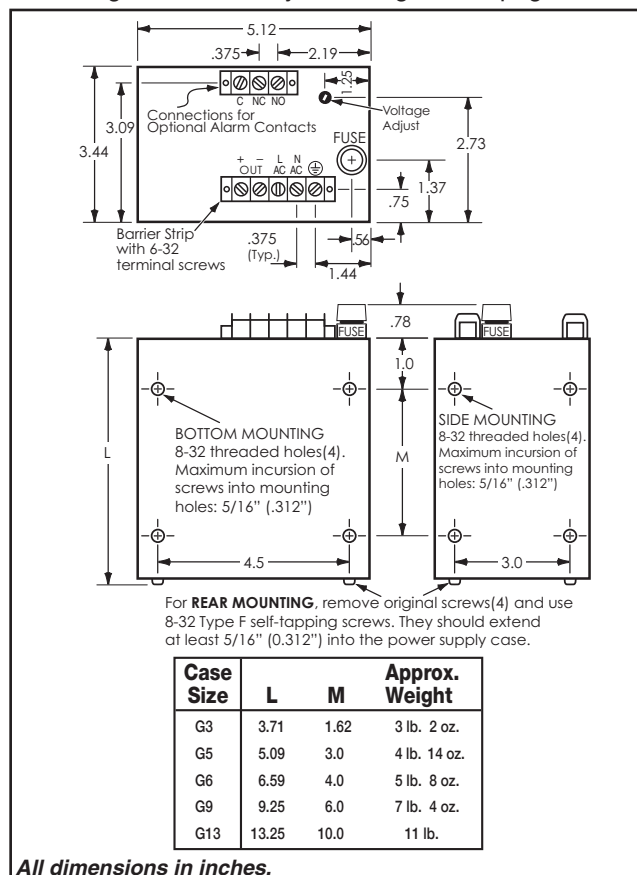
Overvoltage Protection: An internal preset overvoltage protector is available. To order, add prefix "V" to the model number, and add \$25.00 to the standard price of models with outputs of 1.5 to 70 volts; \$35.00, for 75 to 200 volt outputs.

Remote Voltage Sensing: Provision for sensing the output voltage across the load, so that drops in the load lines are compensated, is available on all models. (This option also permits the use of an externally located potentiometer to adjust output voltage.) To order, add prefix "R" to the model number. No increase in price.

Terminal Strip Cover: Clips on. To order, add suffix "M" to model number and \$5.00 to price.

230 Volt Input: All models can be alternately furnished for operation on inputs of 210-250 VAC, 50-400 Hz. To order, add suffix "-230" to model number and \$25.00 to price. The "-230" option requires two additional days.

Mounting: Threaded mounting holes permit mounting to a chassis, cabinet wall or bracket. To mount from the power supply side of the mounting surface or for DIN rail mounting, see accessory Mounting Kits on page H3.



All dimensions in inches.

SERIES A & B

Table with columns: Nominal Output Voltage, Ad-just ±V, Output Current Amps. at (40°C, 55°C, 71°C), Regulation (Load ±%, Line ±%), Ripple mV RMS, (\$), Model, Case Size. Rows include models like B24G30, B24G75, B24G110, etc.

Table with columns: Nominal Output Voltage, Ad-just ±V, Output Current Amps. at (40°C, 55°C, 71°C), Regulation (Load ±%, Line ±%), Ripple mV RMS, (\$), Model, Case Size. Rows include models like B48G20, B48G40, B48G60, etc.

LINEAR REGULATED AC-DC

WALL MOUNTING KITS ...\$10

These kits provide a way of mounting power supplies on a wall or panel when the other side of the mounting surface is inaccessible. Each kit consists of four aluminum brackets and four machine screws for fastening them to the power supply, effectively adding mounting flanges to the power supply.

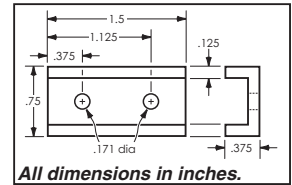
For 'Gold Box' and (modular) 'High Voltage' power supplies:

GB8 Mounting Kit (#8-32 mounting holes)

Can be used on these case sizes:

CM6, CM9, CM13, CH11, CH16, DG5, DG6, DG9, G3, G5, G5D, G6, G9, G13, GT5, GT6, GT9, GT13, H8, H11, H16, HD345, HD355, HA349, HA359, HT11, HT16, LM6A*, LM8A*, LM10A*, M6, M9, M13, RM6, RW6 TG5, TG6, TG9, TG13, TH11, WG7, WM6, WM9, Y3, Y5, Y6, YH11, YA

*For rear mounting brackets horizontally on **LM cases only**, use GBR Mounting Kit...\$15



For 'Narrow Profile' power supplies:

NP6 Mounting Kit (#6-32 mounting holes)

Can be used on these case sizes:

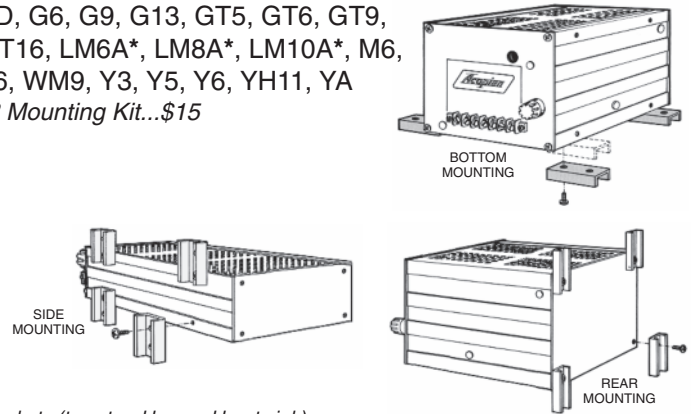
AMC, CN8T, DN6B, DN6A, DN8A, DN8, F6T, F8T, N8T, WL9, WN6A, WN6B, WN8, WN8A, WN8B, TN6T

NP6L Mounting Kit (#6-32 mounting holes)

Can be used on these case sizes:

CN8H, N8H, TN8H

Model NP6L consists of two brackets 1.5" long as shown above, and two 2.5" long brackets (to extend beyond heat sink).



DIN RAIL MOUNTING KITS ...\$15*

CH35DIN Mounting Kit (Horizontal mounting)

Can be used on these case sizes: RM6, RW6

GH35DIN Mounting Kit (Horizontal mounting)

Can be used on these case sizes:

CM6 DG5 G3 GT5 M6 TG5 Y3
 CM9 DG6 G5 GT6 M9 TG6 Y5
 CM13 DG9 G5D GT9 M13 TG9 Y6
 G6 GT13 TG13
 G9
 G13

GR35DIN Mounting Kit (Rear mounting)

Can be used on these case sizes:

CM6 DG5 G3 GT5 HD345 M6 RM6 TG5 Y3
 CM9 DG6 G5 GT6 HD355 M9 RW6 TG6 Y5
 DG9 G5D GT9 TG9 Y6
 G6
 G9

(GR35DIN can be used, but is not recommended on case sizes: G13, GT13, M13, TG13)

LR35DIN Mounting Kit* (Rear mounting)

LV35DIN Mounting Kit* (Vertical mounting)

LH35DIN Mounting Kit* (Horizontal mounting)

Can be used on these case sizes: LM6A, LM8A, LM10A

*All DIN Kits for LM cases \$20

NPH35DIN Mounting Kit (Horizontal mounting)

Can be used on these case sizes:

CN8H DN6A F6T N8H TN6T WN6A
 CN8T DN6B F8T N8T TN8H WN6B
 DN8 WN8
 DN8A WN8A
 WN8B

NPR35DIN Mounting Kit (Rear mounting)

Can be used on these case sizes:

CN8H F6T N8H TN6T
 CN8T F8T N8T TN8H

NPV35DIN Mounting Kit (Vertical mounting)

Can be used on these case sizes:

CN8H DN6A F6T N8H TN6T WN6A
 CN8T DN6B F8T N8T TN8H WN6B
 DN8 WN8
 DN8A WN8A
 WN8B

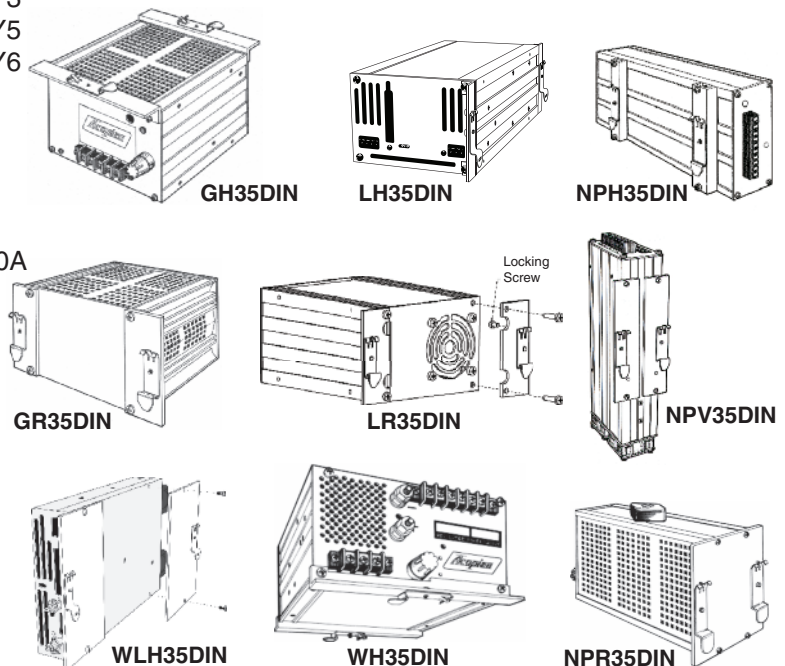
WH35DIN Mounting Kit (Horizontal mounting)

Can be used on these case sizes: WM6, WM9

WL35DIN Mounting Kit (Vertical mounting)

WLH35DIN Mounting Kit (Horizontal mounting)

Can be used on these case sizes: WL7, WL9



ACOPIAN SELLS FACTORY DIRECT WORLDWIDE: We do not use representatives or distributors. Contact Acopian for technical information or a quote.

WARRANTY: Acopian power supplies are warranted to be free from defects in material and workmanship for a period of five years (encapsulated devices, for one year) from date of original shipment. Acopian's obligation under this warranty is limited to repairing any power supply returned to the factory Service Department in Easton, PA or Melbourne, FL, and replacing any defective parts. Mini Encapsulated power supplies are not repairable. Authorization must be obtained from Acopian before a power supply may be returned for repair. Units must be well packed when shipping to Acopian; the repair of any damage incurred during shipment will be charged. Transportation charges are to be paid by the purchaser. A reinspection and handling charge will be applied to returned units found to have no defects. If a failure has been caused by misuse, operation in excess of specifications, or modification by the customer, repairs will be billed at cost; in such cases, a cost estimate will be submitted before work is started.

Acopian reserves the right to make changes or improvements in its products without incurring any obligation to install the same on products previously manufactured.

This warranty is in lieu of all other warranties, obligations, and liabilities, expressed or implied, and is the purchaser's exclusive remedy. Acopian makes no warranty, either express or implied, of merchantability, fitness for a particular purpose or otherwise. In no event shall Acopian be liable whether in contract, tort, or negligence, for special, indirect, incidental or consequential damages of any kind, including loss of business or profits, or any other losses incurred by the purchaser or any third party, the Customer's remedies being limited, at Acopian's option, to replacement, repair or credit at the price on the date of claim.

The validity, performance and construction of all terms and conditions and any sale made by Acopian shall be determined by the law of Pennsylvania, without regard to its conflict of law principles, and all parties to the transaction expressly consent to the jurisdiction of such courts and consent to the venue of the Court of Common Pleas for Northampton County, Pennsylvania.

PRICES: The prices shown are F.O.B. our factory; Easton, PA or Melbourne, FL. ('EXW Factory' if outside the 50 United States.) All prices and specifications are subject to change without notice.

TERMS: Net 30 days, subject to credit approval. Visa, MasterCard and American Express also accepted.

SHIPPING: Location permitting, small shipments are made by United Parcel Service, FedEx, DHL (international orders) or by Parcel Post; larger shipments, by insured motor freight collect. Shipments can be made by air upon request. Risk of loss shall be F.O.B. Our Factory, even in cases where freight may be prepaid or allowed to destination by Acopian. If equipment is received in damaged condition, it is the customer's responsibility to contact the carrier and file a claim for damages.

TIME FOR DELIVERY: The time for delivery quoted by Acopian is the time required to ship from our plants. We will not be liable for delays in delivery caused by any reason beyond our control, including but not limited to acts of God, casualty, civil disturbance, labor disputes, transportation or supply difficulties, or any interruption of our facilities, and the quoted time for delivery shall be extended during the continuance of such conditions and for a reasonable time thereafter. In no event will Acopian be liable for any premium transportation, reprourement, or similar costs incurred by the Customer as a result of conditions beyond Acopian's control resulting in Acopian's inability to deliver product in accordance with customer's requested delivery schedules.

QUANTITY DISCOUNTS: Discounts are available to quantity buyers and are dependent upon the order quantity and the manufacturing scheduling anticipated by the order, and apply only to the quantity and delivery ordered. Partial shipments are considered as separate orders for discounting purposes.

EXPORT ORDERS: A minimum export documentation charge of \$60.00 applies. (A minimum charge of \$25.00 applies on orders to certain U.S. territories requiring customs forms.)

MOISTURE/FUNGUS PROOFING: Power supplies can be furnished with a moisture and fungus resistant varnish applied to interior surfaces. To order, add the suffix letter F to the model number. This option requires two additional days and is not available on High Voltage, Mini Encapsulated, Rack Mounting, and Gold Box Switching models.

TAGGING: Add \$10.00 to price.

TEST DATA: Cost, \$35.00 or 2% of order, whichever is greater.

SPECIAL MODELS/MODIFICATIONS: Cataloged models can be altered at the factory to meet special requirements. Contact the Applications Engineering Department to discuss your needs.

PARTS: The designs used in Acopian power supplies utilize standard components to the greatest practical extent. When replacements are required, the types originally used, or their equivalents, can usually be obtained most quickly from a local electronic components distributor.

Special components, such as transformers, are stocked at the factory warehouses. Contact the Applications Engineering Department for information on the parts required, referencing the model number of the power supply, the circuit designation of the component, and a description.

PURCHASE ORDER ACCEPTANCE: Orders are accepted subject to Acopian's Terms and Conditions. Any Terms and Conditions of any Purchaser's order, agreement, or understanding which are in addition to or inconsistent with Acopian's shall not be binding upon Acopian unless made in writing and accepted over the signature of an authorized officer of Acopian. Orders shall not be considered accepted until entered into production at our plant. Acopian reserves the right to refuse any order. All typographical and clerical errors are subject to correction by Acopian.

RETURNED GOODS: Acopian products are built on a per-order basis, and ordinarily no credit can be extended for their return. No goods will be accepted for return unless authorized in writing by Acopian.

CHANGES: The customer may, by a written notice, request changes within the general scope of the order, in the drawings, designs or specifications; method of shipment; and place of delivery. If any such change causes an increase or decrease in the cost, or the time required for the processing of any part of the order, an equitable adjustment shall be made in the price or delivery schedule, or both, and the order shall be modified in writing accordingly.

CANCELLATION: Suspension or cancellation of orders may be made only upon our written approval and on terms that will indemnify us against all loss.

OVERTIME: It is anticipated that any order will be processed during regular working hours on regular working days. If for any reason the Purchaser requests Acopian to process the order, or any portion of it, outside of such regular working hours, any overtime or other additional expense occasioned thereby shall be billed to and paid by the Purchaser as an extra cost. Acopian reserves the right to decline to process the order outside regular working hours.

CUSTOMER DELAY OF WORK: If the performance of all or any part of the work is delayed or interrupted by Customer's failure to act within the time specified (or within a reasonable time if no time is specified) and such act is not expressed or implied by the order, an adjustment shall be made in the cost of performance of the order caused by such delay or interruption and the order modified in writing accordingly. Adjustment will also be made in the delivery or performance dates and any other contractual provisions affected by such delay or interruption.

GOVERNMENT SPECIFICATIONS: Pricing is based upon industrial-grade construction, marking, packing, and packaging. Exception is taken to any MIL specifications, and to any requirements for the use of special forms, documentation other than quoted, and Government Source Inspection. Acopian must decline to quote on any other basis.

APPLICATIONS ASSISTANCE: *Questions regarding the specifications, features, and use of any Acopian product should be directed to the Applications Engineering Department. A staff of power supply specialists will be pleased to assist you.*

ACOPIAN IS AN ISO 9001 CERTIFIED COMPANY