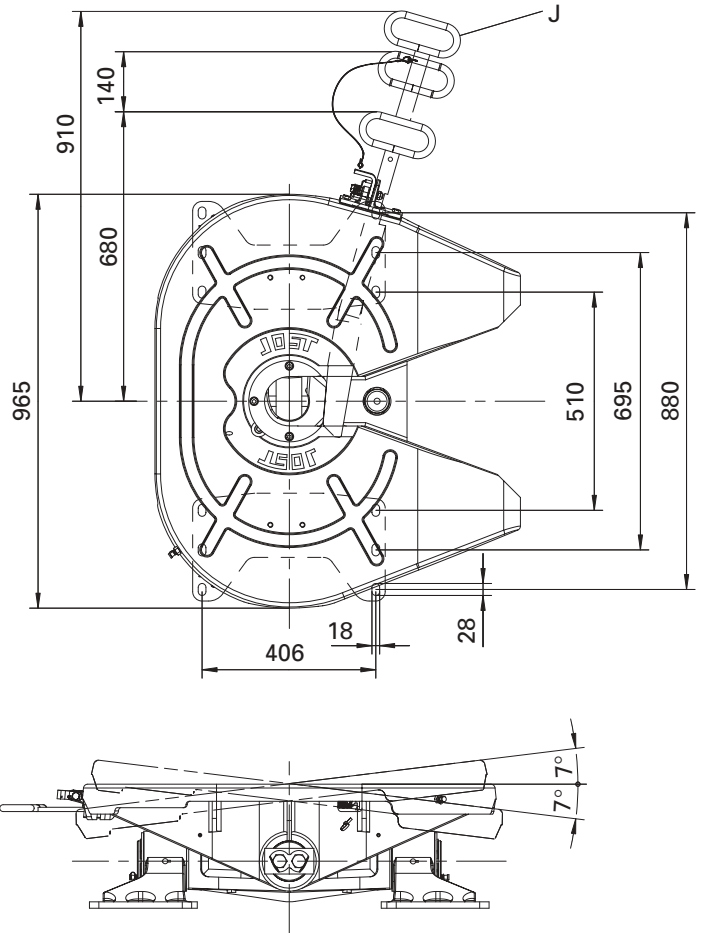
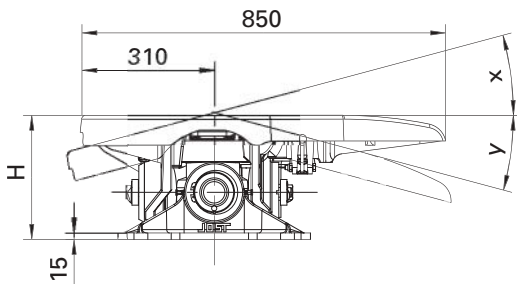


Heavy duty fifth wheel couplings JSK 38 G1

Technical Specification

Cardan bearing, hole pattern as per ISO 3842.

JOST heavy duty fifth wheel couplings comply with dimensions as per DIN 74081 or DIN 74084, for plate mounting with hole patterns as per DIN 74081, 74084 and ISO 3842. Suitable for 2" king pins (50) as per DIN 74080, ISO 337 or 3 1/2" king pins (90) as per DIN 74083, ISO 4086 and steering wedges as per DIN 74085 or 94/20/EC. Fitted on a mounting plate.



Selection table / Versions available

Order No.	H (mm)	Lock	Pitching angle		D value (kN)	Imposed load U (t)	Weight (kg)	Approval EC	Maintenance	Handle length
			X	Y						
JSK 38G-1	290	3 1/2"	15°	15°	260	36	265	e1 00-0339	M	K
JSK 38G-1 Z										Z
JSK 38G-1 J										J
JSK 38G-1 ZJ										Z
JSK 38G-1 2"	290	2"	15°	15°	170	28	e1 00-0443	M	K	
JSK 38G-1 2" Z									Z	
JSK 38G-1 2" J									J	
JSK 38G-1 2" ZJ									Z	

Explanations:

Maintenance

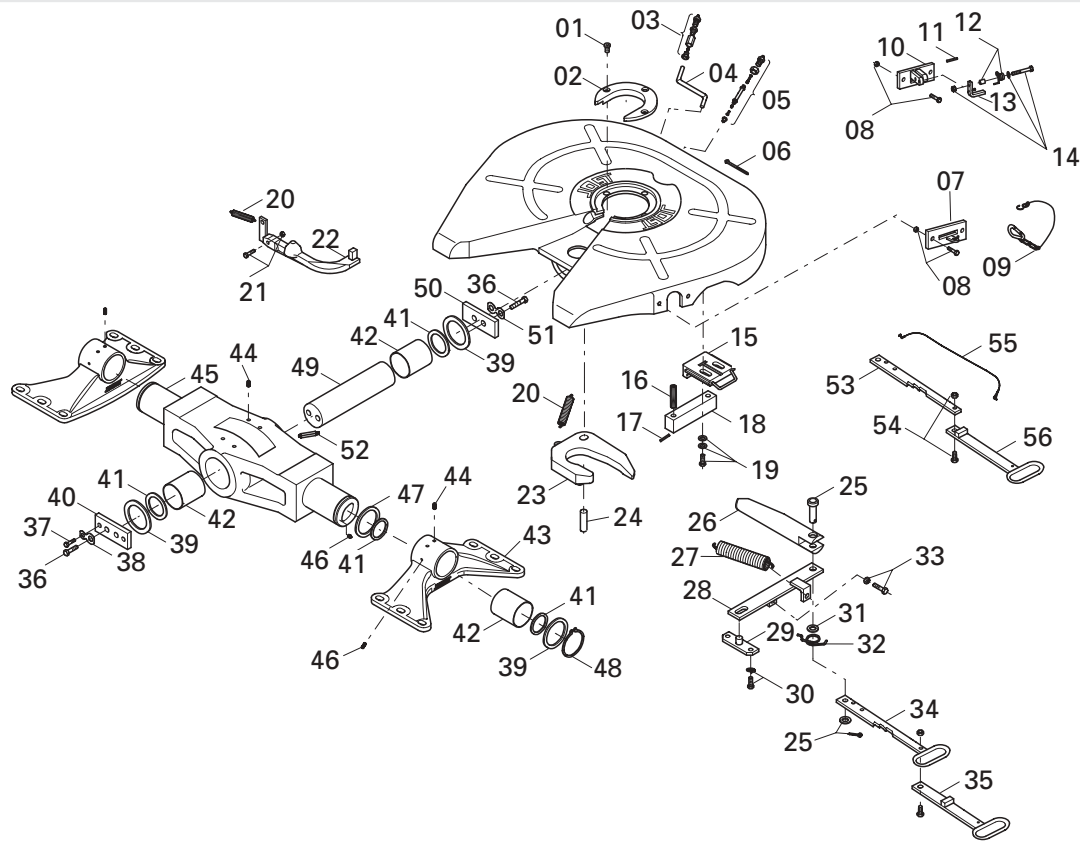
- Z = Prepared for central lubrication
- M = Manual lubrication

Handle length

- J = Long handle
- K = Short handle

JSK 38 G1 / G1-2" /...Z

Spare parts



Item	Description	Serial No./ Remark	Order No.	Quantity per JSK	Item	Description	Serial No./ Remark	Order No.	Quantity per JSK
01	Socket head bolt		SK 2421-08	3	27	Double tension spring		SK 2405-23	1
02	Wearing ring 3 1/2"	with 01	SK 2421-56	1	28	Lever		SK 2405-04	1
	Wearing ring 2"	with 01	SK 2421-57	1	29	Bearing		SK 2405-15	1
03	Nut and bolt		SK 1976	1	30	Hexagon bolt, compl.		SK 2421-53	2
04	Lubrication tube		SK 1989	1	31	Washer		SK 2405-19	1
05	Lubrication tube, compl. + 06	for type Z	SK 2508-02	1	32	Spring noose		SK 2405-09	1
06	Cable tie		SK 3121-13	1	33	Hexagon bolt, compl.		SK 2421-52	1
07	Guide plate	to xx70xxxxxx	SK 2405-22	1	34	Handle (standard version)		SK 2405-066	1
08	Hexagon bolt, compl.		SK 2421-50	2	36	Hexagon bolt		SK 2034	4
09	Spring hook, compl.	to xx70xxxxxx	SK 1436	1	37	Hexagon bolt		SK 2521-18	2
10	Latch holder, compl. with 11	from xx72xxxxxx	SK 2405-084	1	38	Locking plate		SK 2504-21	2
11	Clamping pin		000.003.027	1	39	Spacer washer		SK 2504-14	4
12	Spring noose, compl.	from xx72xxxxxx	SK 2921-30	1	40	Plate		SK 2504-18	1
13	Latch, compl.	from xx72xxxxxx	SK 3121-52	1	41	Round seal		SK 2521-07	6
14	Hexagon bolt, compl.	from xx72xxxxxx	SK 3521-03	1	42	Bearing bushing		SK 2504-16	4
15	Stopper, compl.		SK 2506-22	2	43	Pedestal	with 42, 44, 46	SK 2521-52	2
16	Pressure spring		SK 2506-15	4	44	Cylindrical notched pin		SK 1533	8
17	Clamping sleeve		SK 2521-10	4	45	Rocker arm, compl.	with 42, 44, 46, 52	SK 2521-51	1
18	Bush		SK 2506-35	2	46	Taper grease nipple		SK 2521-04	6
19	Hexagon bolt, compl.		SK 2521-50	4	47	Spacer washer		SK 1192/1	2
20	Tension spring		SK 2106-01	2	48	Locking ring		SK 1435	2
21	Hexagon bolt, compl.		SK 2421-51	1	49	Pivot pin		SK 2504-17	1
22	Latch		SK 2405-27	1	50	Clamping plate		SK 2504-19	1
23	Lock jaw	3 1/2"	SK 2405-14	1	51	Locking plate		SK 2504-20	1
	Lock jaw, compl. with 06	3 1/2" for type Z	SK 2405-14Z	1	52	Taper grease nipple with extension		SK 2521-57	1
	Lock jaw	2"	SK 2405-13	1	53	Locking bar for type J	from xx72xxxxxx	SK 2405-067	1
	Lock jaw, compl. with 06	2" for type Z	SK 2405-13Z	1	54	Hexagon bolt, compl. f. type J	from xx72xxxxxx	SK 2421-50	1
24	Bolt		SK 2405-18	1	55	Latch cord, compl. f. type J	from xx72xxxxxx	SK 3521-02	1
25	Bar bolt, compl.		SK 2121-14	1	56	Handle for type J	from xx72xxxxxx	SK 3105-113	1
26	Locking bar		SK 2405-01	1					

Repair, retrofit and conversion kits

Item	Description	Order No. for type G	Order No. for type GZ
01, 02, (05), 09, 20, 23, 24, 27	Repair kit for lock 3 1/2"	SK 2421-76	SK 2421-76 Z
01, 02, (05), 09, 20, 23, 24, 27	Repair kit for lock 2"	SK 2421-77	SK 2421-77 Z
36, 37, 38, 41, 42, 44, 46, 51, 52,	Repair kit for bearing	SK 2521-76	SK 2521-76
01, 02, 20, 23	Conversion kit from 3 1/2" to 2" lock	SK 2421-98	SK 2421-98Z
01, 02, 20, 23	Conversion kit from 2" to 3 1/2" lock	SK 2421-99	SK 2421-99Z
35, 54, 55	Handle extension retrofit kit, compl. from serie xx72xxxxxx	SK 3121-063	SK 3121-063