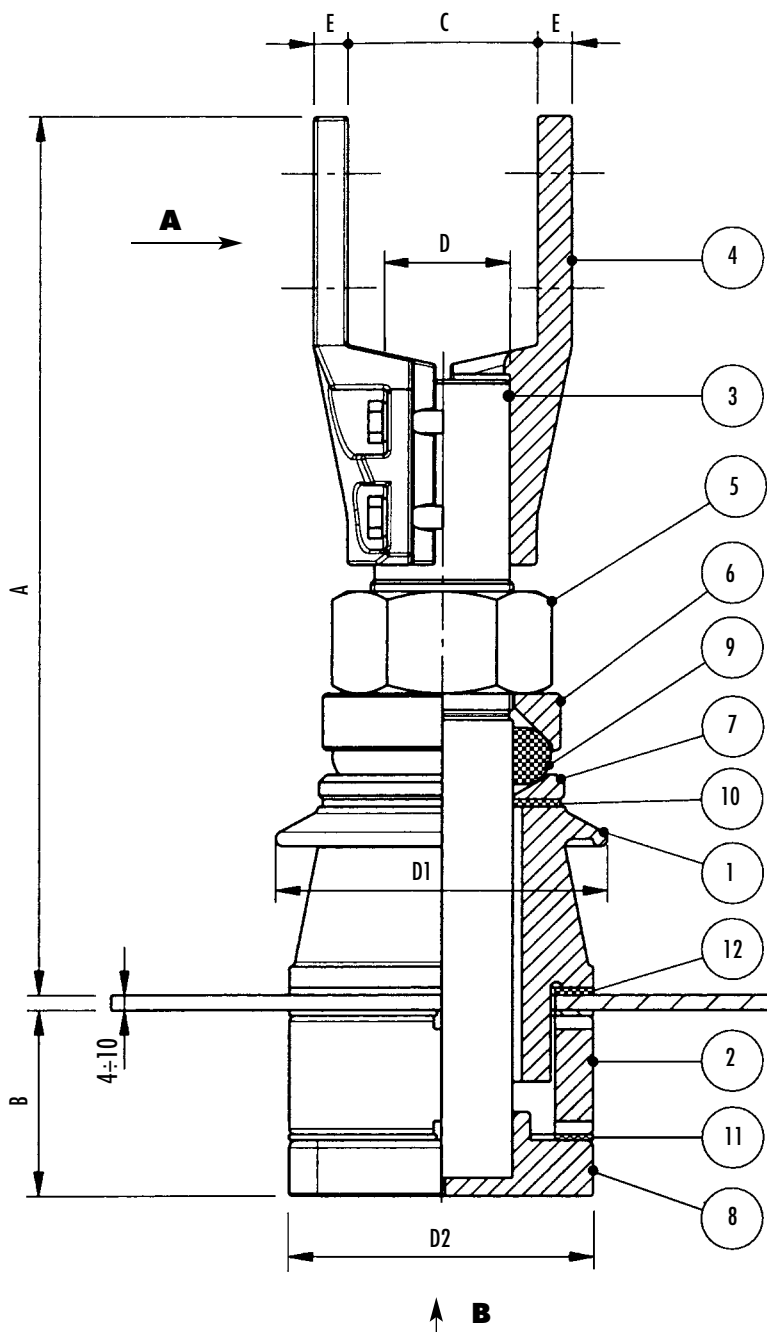


6500 A



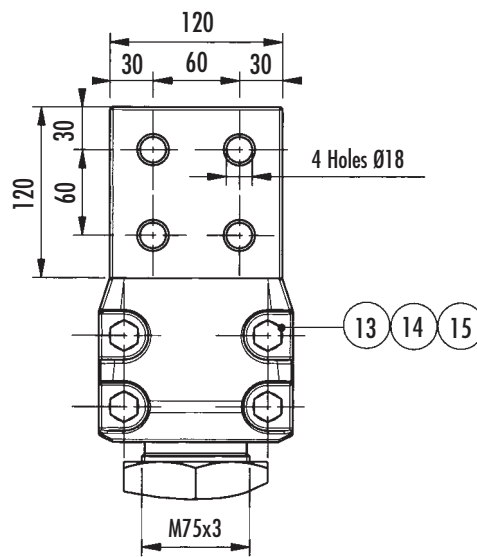
3 kV/6500 A	463	98.5	100	Ø 71	Ø 175	Ø 160	18	Ø 119	42 kg
-------------	-----	------	-----	------	-------	-------	----	-------	-------

6500 A

ITEM	DESCRIPTION	Q.TY
2	LOWER PORCELAIN	1
4	SEMIFLAG	2
6	UPPER WASHER	1
8	LOWER WASHER	1
10	GASKET	1
12	GASKET	1
14	WASHER DIN 125 A	4

				VOLTAGE TIGHTNESS				
3/6500	3	6500	40	14	10	140	107	20

6500 A



6500 A

