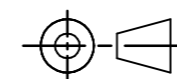
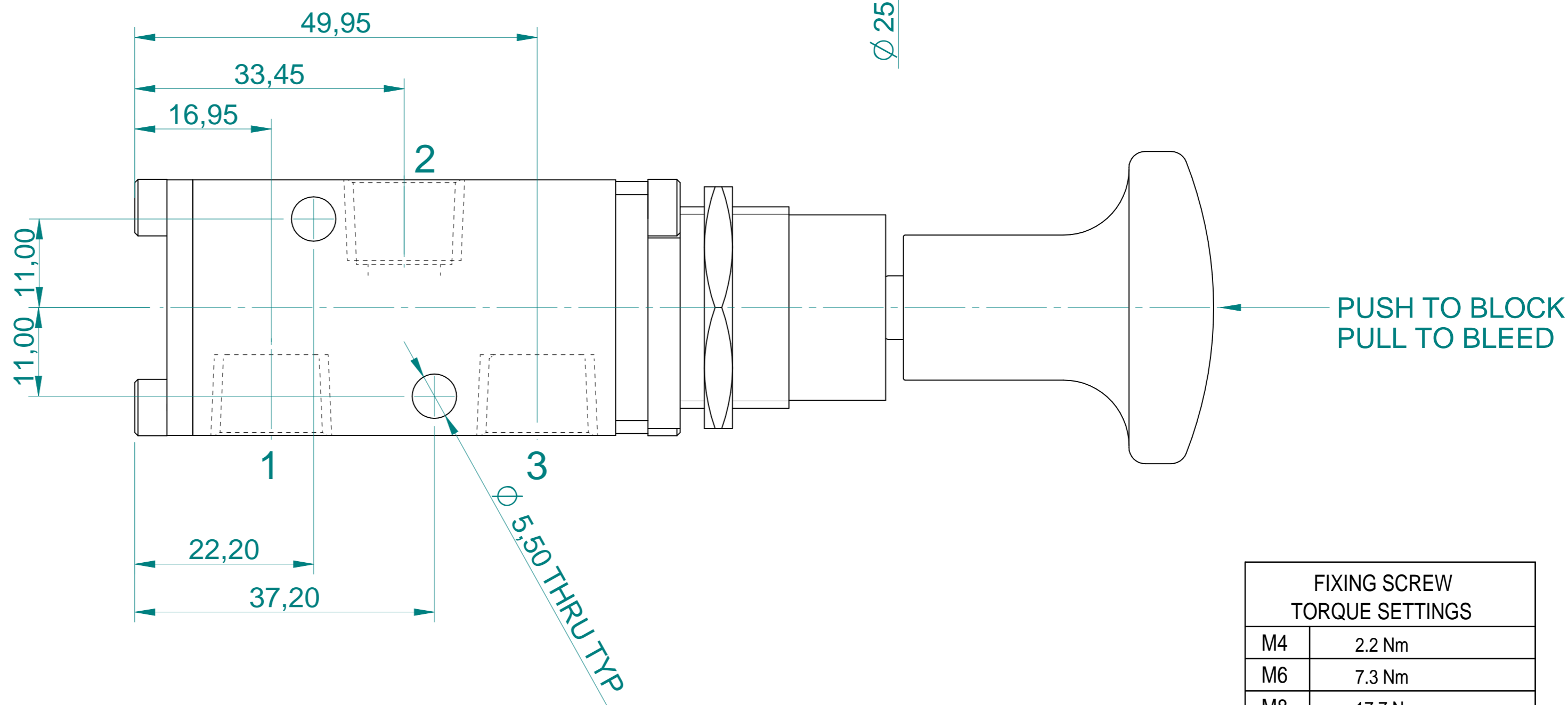
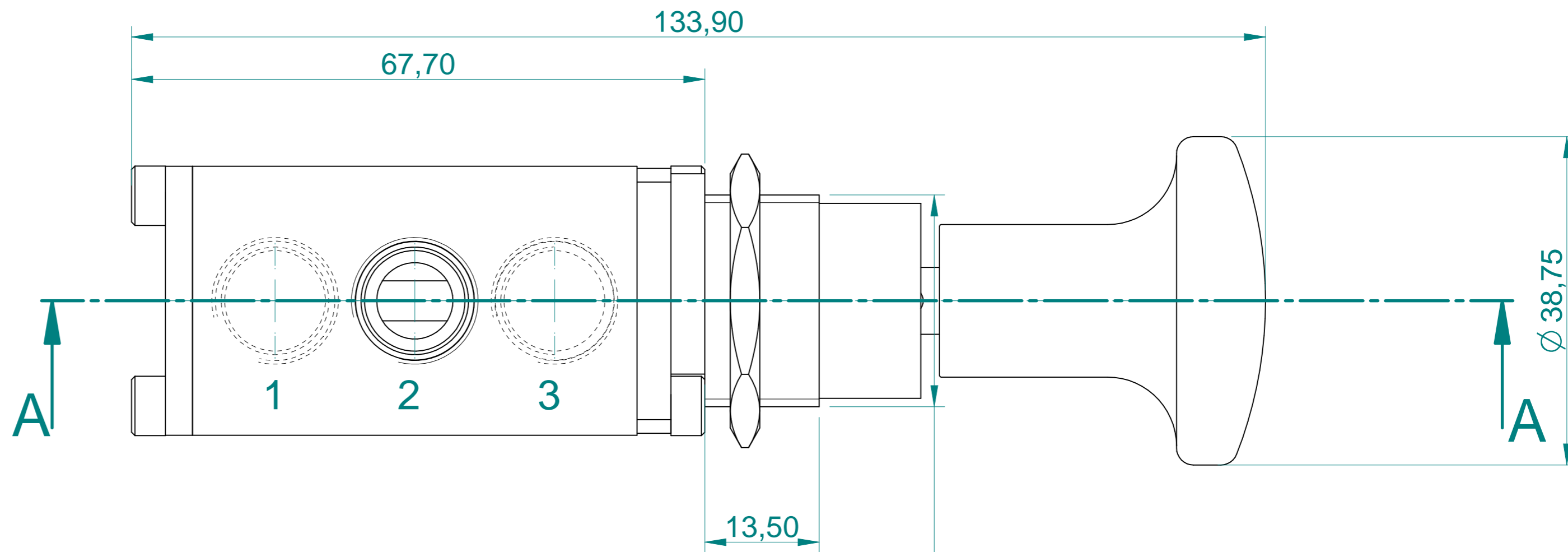
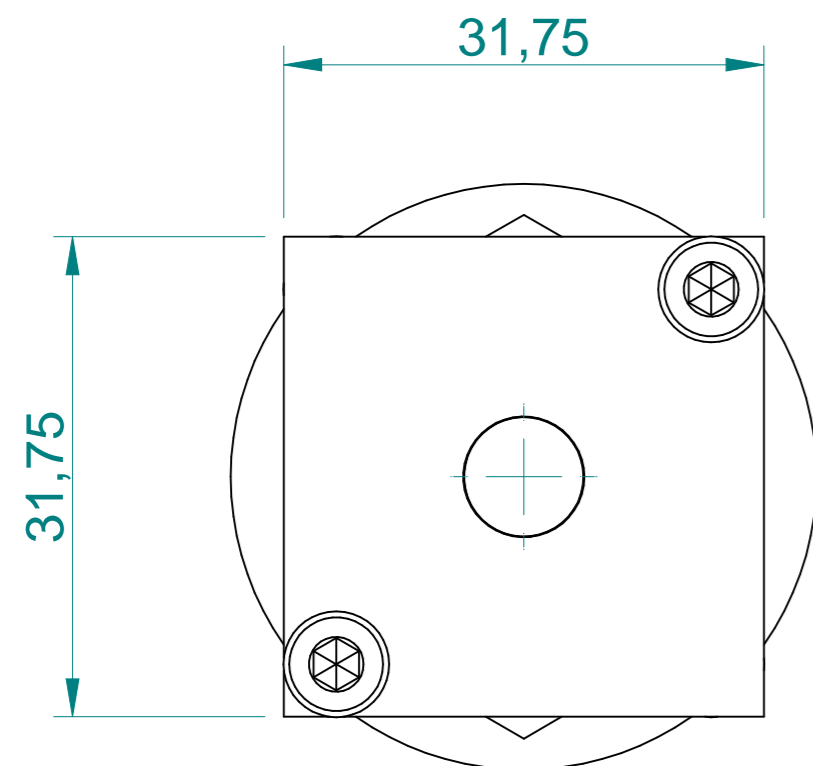


DO NOT SCALE

THIRD ANGLE PROJECTION

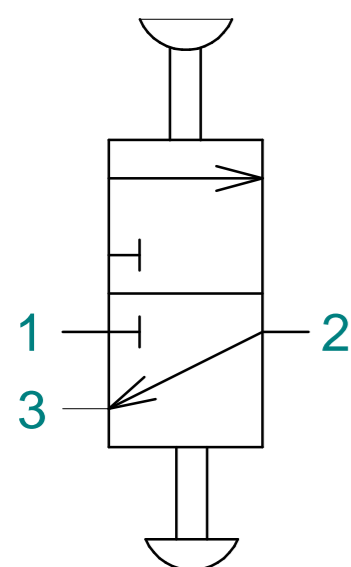


DIMENSIONS IN MILLIMETRES



PUSH TO BLOCK  
PULL TO BLEED

### SCHEMATIC:



### PORTS:

- P - PRESSURE PORT - 1/4" NPT
- S - SERVICE PORT - 1/4" NPT
- T - TANK PORT - 1/4" NPT

WEIGHT: 0.5kg

MAX WORKING PRESSURE:  
 STANDARD SERVICE: 10 BAR (145PSI)  
 ARCTIC SERVICE: 8 BAR (120PSI)  
 HYDRAULIC SERVICE: 8 BAR (120PSI)

FIXING SCREW TORQUE SETTINGS	
M4	2.2 Nm
M6	7.3 Nm
M8	17.7 Nm

REV	DATE	DRAWN	CHKD	REVISION
3	08.09.17	CJ		MOUNTING HOLE DIAMETERS ADDED
2	19.03.14	P.J.H.		DIMENSIONS UPDATED FOR PORT LOCATIONS
1	27.09.13	KM		BODY REORINATED THE TO THE CORRECT LOCATION
0	23.04.07	PJH		Production Standard

NOTES :

1.) O-RING MATERIAL CODE 'X' S = NITRILE  
 V = VITON  
 SA = LOW TEMP. NITRILE

2.) ALL DIMENSIONS NOMINAL UNLESS OTHERWISE STATED.

VALVE TYPES/USED ON



Bifold Fluidpower Limited  
 Greenside way, Middleton, Manchester, M24 1SW  
 Telephone (44) 0161 345 4777 Fax (44) 0161 345 4780

PROJECT TITLE SJJE06-M14-32-NU-04		PROJECT No.	
DRAWING TITLE GENERAL INSTALLATION		DRAWING No. 0-IN0074	
DRAWN Chris_Jones	DATE 23.04.07	CHECKED TIM SELBY - 27SEP2013	DATE APPROVED
Copyright © 2000 BIFOLD FLUIDPOWER LTD. All Rights Reserved		C.A.D. Produced Drawing DO NOT Change By Hand	