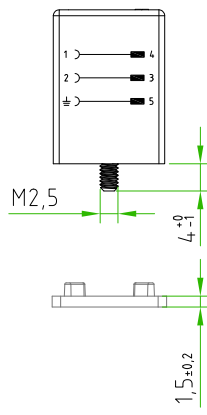
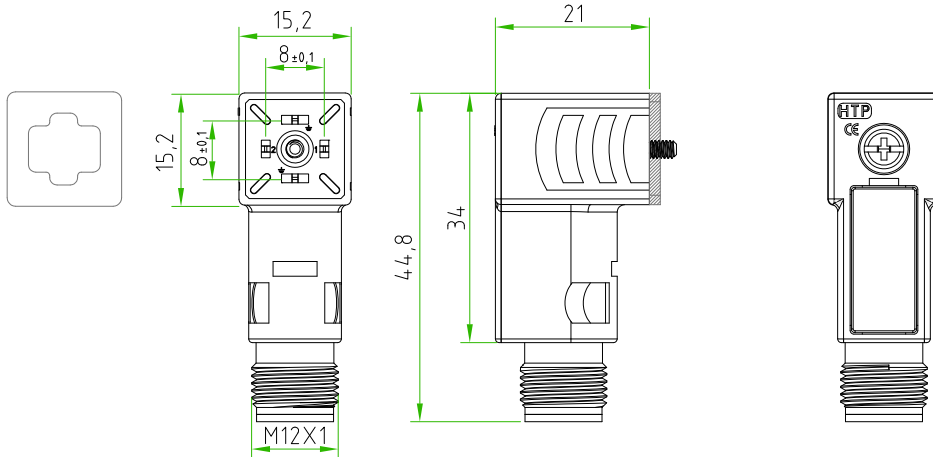
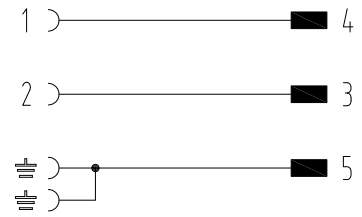
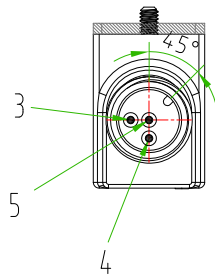


Rev.		Modify		Date		Signed		Approved	
------	--	--------	--	------	--	--------	--	----------	--

Rev.		Modify		Date		Signed		Approved	
------	--	--------	--	------	--	--------	--	----------	--

Rev.		Modify		Date		Signed		Approved	
------	--	--------	--	------	--	--------	--	----------	--



PRODUCT TYPE	ADAPTER SQUARE MICRO CONNECTOR EN175301-803 (TYPE C) + M12 CIRCULAR CONNECTOR
CONNECTOR TYPE	SQUARE MICRO CONNECTOR EN175301-803(TYPE C)
CONNECTOR COLOUR	BLACK
CONTACTS SPACING	8mm
NUMBER OF CONTACTS	2POLES+2EARTHS
EARTH POSITIONING	H.6-12
CENTRAL FIXING SCREW	M2,5X0,5 L=22,5mm
GASKET TYPE	INTEGRATED (NBR)
PROTECTION CLASS	IP67
CIRCUIT TYPE	WITHOUT ELECTRONIC
RATED VOLTAGE	60V AC/DC
M12 CONNECTOR TYPE	STRAIGHT 180°
M12 CONTACTS TYPE	MALE 3POLES
M12 CONTACTS CONNECTED	N°3
CONNECTOR WITH H.T.P.LOGO	

CUSTOMER APPROVAL

SIGNATURE DATE

PLEASE SIGN AND RETURN

Designer	CIMMINO L.	Date	2016-04-05	Tolerance	±0.3	Units:	mm	Series	ADAPTER	Drawing n. 1-1
Approved	MAZZOLA M.	Date	2016-04-05	Scale	1:1	Size:	A4	Customer code:		

DESCRIPTION
 ADAPTER SQUARE MICRO CONNECTOR EN175301-803 (type-C),
 2P.+P.E.,8mm,BLACK,WITHOUT ELECTRONIC,+M12 CONNECTOR MALE
 3POLES.CONNECTOR WITH H.T.P.LOGO

H.T.P.PART NUMBER

P1N02000C-12MD



A4

