

Model

| Model | Max.operating pressure (MPa) | Pump capacity (L/min) | Motor output (kW) | Oil required (L) | Motor pole number (P) | Ambient temperature (°C) | Mass (kg) | Installation |
|-------|------------------------------|-----------------------|-------------------|------------------|-----------------------|--------------------------|-----------|--------------|
| M121 | 15 | 4.2 | 0.4 | 12 | 4 | -10~40 | Approx.32 | Horizontal |

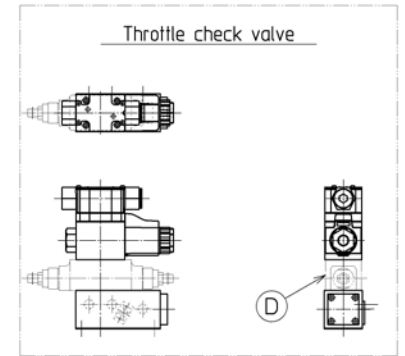
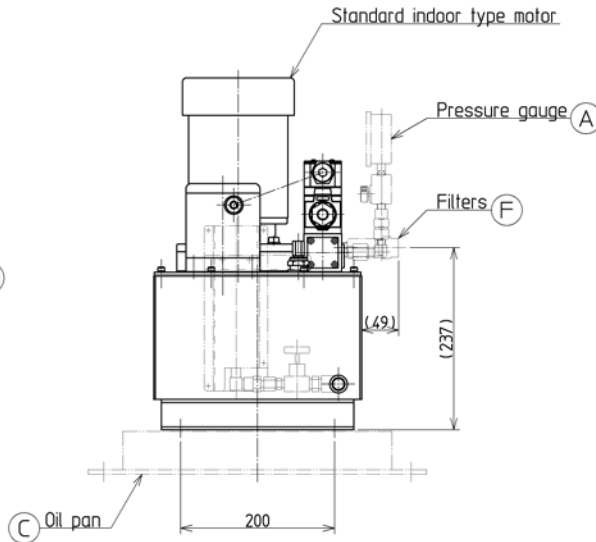
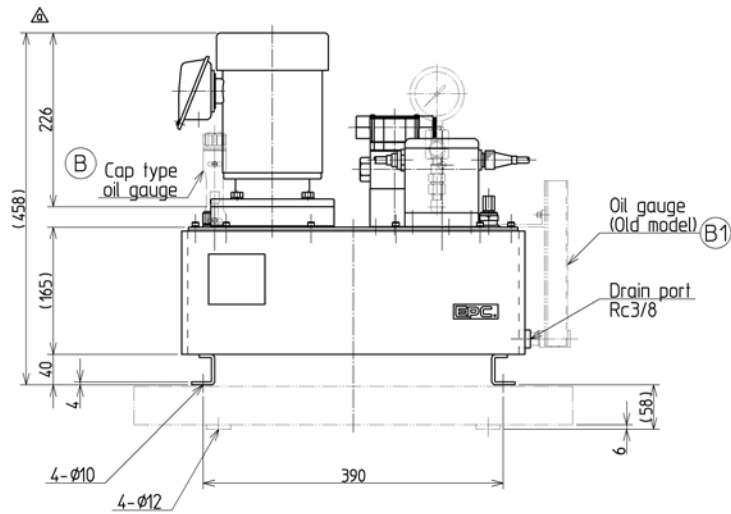
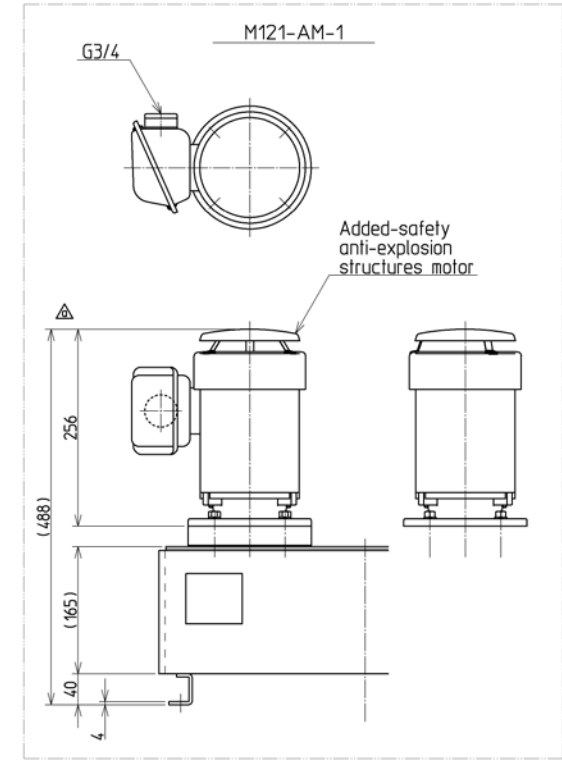
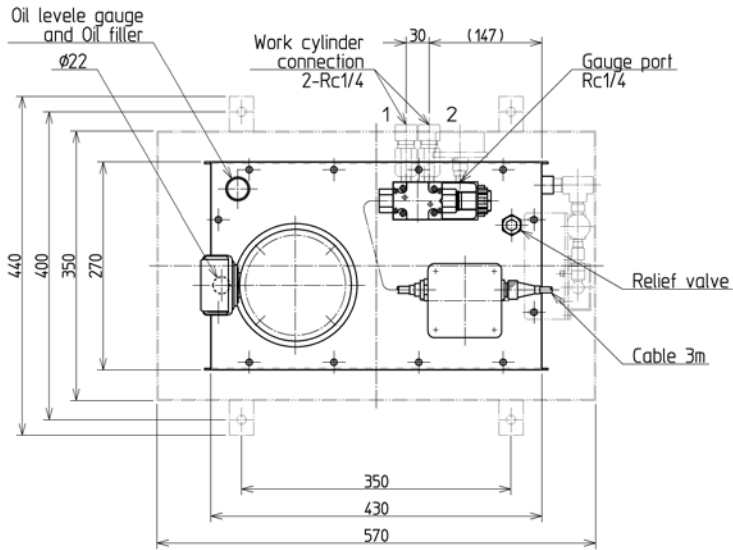
AM

| Explosion protection standard | Motor | Solenoid |
|--|------------------------|---------------|
| | 0 Standard indoor type | Standard type |
| 1 Added-safety anti-explosion structures | Standard type | |

| Motor power supply voltage | Motor | Solenoid |
|----------------------------|---------------------------|---|
| | 0 200V 50/60Hz, 220V 60Hz | The voltage that is not written in the left assumes if X, and write the voltage. When you chose Added-safety anti-explosion structures, you cannot choose "380V 50Hz and "415V 50Hz". |
| 1 220V 50Hz | | |
| 2 400V 50/60Hz, 440V 60Hz | | |
| 3 380V 50Hz, 415V 50Hz | | |
| X | | |

| Solenoid power supply voltage | Motor | Solenoid |
|-------------------------------|---------------------------|--|
| | 0 200V 50/60Hz, 220V 60Hz | The voltage that is not written in the left assumes if X, and write the voltage. |
| 1 100V 50/60Hz, 110V 60Hz | | |
| 2 110V 50Hz | | |
| 3 220V 50Hz | | |
| 4 DC24V | | |
| X | | |

| Option | Motor | Solenoid |
|-------------------------|---------------------------|----------------------------------|
| | A Pressure gauge | Approx.0.5kg |
| B Cap type oil gauge | Approx.0.5kg | AD6807.1-55 |
| B1 Oil gauge(old model) | Approx.1.5kg | AD6807.0-22 |
| C Oil pan | Approx.8.5kg | AD6807.0-16 |
| D Throttle check valve | Approx.1.5kg | MT-02W-55 Ball kit#M5x85 (HB101) |
| F Filter (Per one) | Approx.0.5kg | AD6807.2-39 |
| N | A case without an option. | |



| No. | DATE | REV. No. | DESCRIPTION | REV. | CKD | ORG. No. |
|-----|-------------|----------|--------------|------|-----|--------------|
| 1 | DEC. 12 '07 | | SCALE | 1:5 | | AD6855.0-20E |
| 2 | DEC. 12 '07 | | MASS APPROX. | | | |
| 3 | DEC. 12 '07 | | | | | |
| 4 | DEC. 12 '07 | | ORDER No. | | | |

