



# INTERPUMP GROUP



I GB F	<b>ISTRUZIONI D'USO</b> <b>INSTRUCTIONS FOR USE</b> <b>MODE D'EMPLOI</b>	D E P	<b>BEDIENUNGSANLEITUNG</b> <b>INSTRUCCIONES DE USO</b> <b>INSTRUÇÕES DE USO</b>
--------------	--	-------------	---

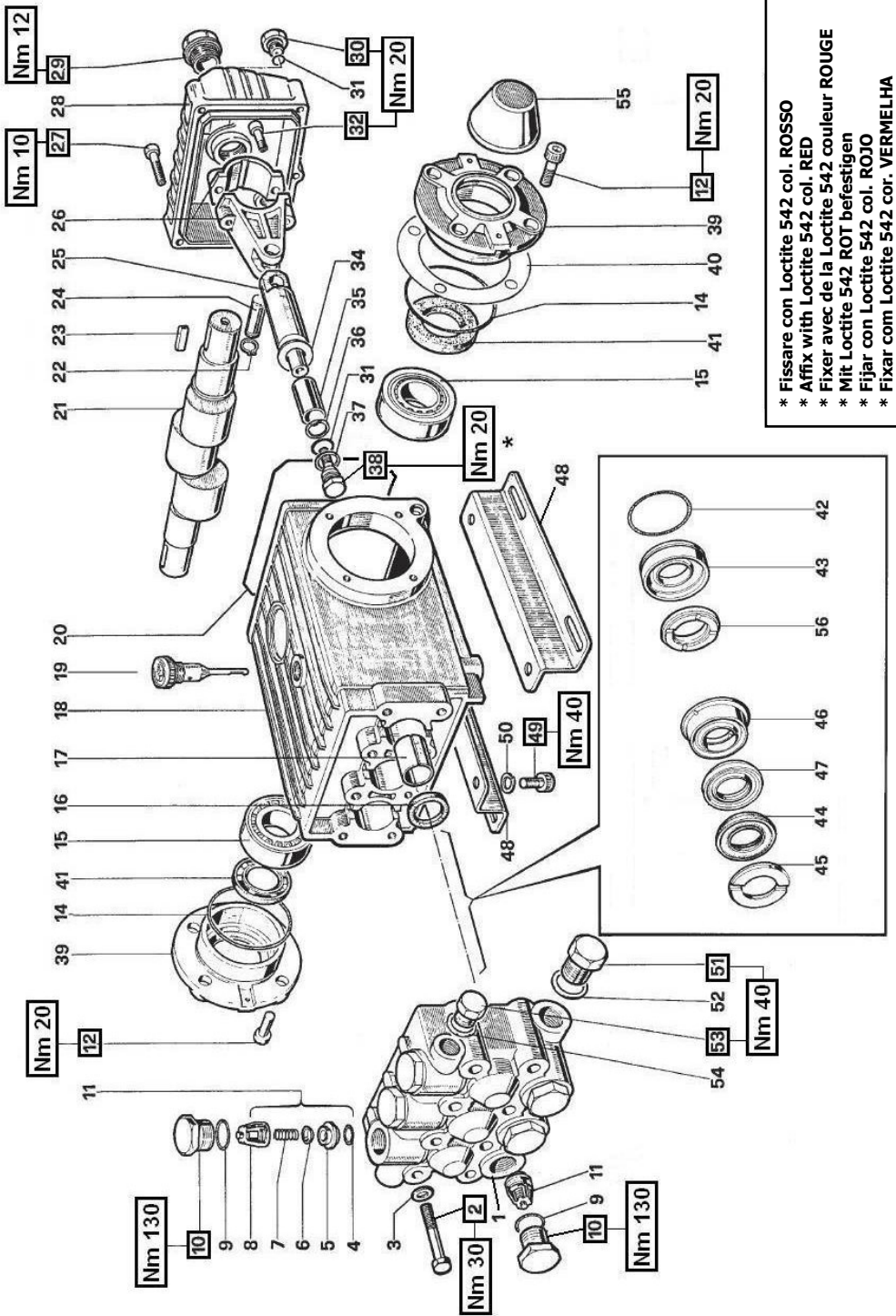
Questo manuale deve essere letto e compreso in accordo al libretto generico "Istruzioni d'uso e manutenzione".  
 This manual must be read and followed in accordance with the generic "Instructions for Use and Maintenance" booklet.  
 Ce manuel doit être lu et compris en accord avec la notice générale " Mode d'emploi et d'entretien ".  
 Dieses Handbuch ist in Verbindung mit dem allgemeinen Handbuch " Gebrauchs- und Wartungsanleitung " zu lesen und zu verstehen.  
 Este manual debe leerse y comprenderse de acuerdo con el manual general "Instrucciones de uso y mantenimiento"  
 Este manual deve ser lido e interpretado de acordo com o livro genérico "Instruções de uso e manutenção"

# 47

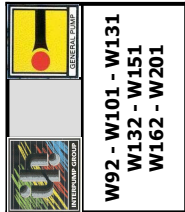
# S E R I E S

Modello Model Modèle Modell Modelo Modelo	Portata Flow rate Débit Förderstrom Caudal Fluxo		Pressione Pressure Pression Druck Presión Pressão			g/m rpm t/m upm r/m r/m	Potenza Power Puisseance Leistung Potencia Poder		Peso Weight Poids Gewicht Peso Peso		
	L/min	gpm	bar	MPa	psi		Hp	kW	Kg	Ibs	
W101	15	3.96	100	10	1450	1000	4.0	2.94	14.0	30.8	1.0
W131	15	3.96	130	13	1885	1000	5.5	4.04	14.5	31.9	1.1
W151	15	3.96	150	15	2175	1000	5.5	4.04	14.5	31.9	1.1
W201	15	3.96	200	20	2900	1000	7.5	5.51	14.5	31.9	1.1
W92	18	4.75	90	9	1300	1000	4.0	2.94	14.0	30.8	1.0
W132	18	4.75	130	13	1885	1000	5.5	4.04	14.5	31.9	1.1
W162	18	4.75	160	16	2320	1000	7.5	5.51	14.5	31.9	1.1
WS133	13	3.43	120	12	1750	1450	4.0	2.94	14.0	30.8	1.0
WS171	13	3.43	170	17	2465	1450	5.5	4.04	14.5	31.9	1.1
WS101	15	3.96	100	10	1450	1450	4.0	2.94	14.0	30.8	1.0
WS131	15	3.96	130	13	1885	1450	5.5	4.04	14.5	31.9	1.1
WS151	15	3.96	150	15	2175	1450	5.5	4.04	14.5	31.9	1.1
WS201	15	3.96	200	20	2900	1450	7.5	5.51	14.5	31.9	1.1
WS92	18	4.75	90	9	1300	1450	4.0	2.94	14.0	30.8	1.0
WS162	18	4.75	160	16	2320	1450	7.5	5.51	14.5	31.9	1.1
WS132	18.7	4.94	120	12	1750	1450	5.5	4.04	14.5	31.9	1.1
WS82	21	5.55	80	8	1160	1450	4.0	2.94	14.0	30.8	1.0
WS102	21	5.55	100	10	1450	1450	5.5	4.04	14.5	31.9	1.1
WS152	21	5.55	150	15	2175	1450	7.5	5.51	14.5	31.9	1.1
WS202	21	5.55	200	20	2900	1450	10.0	7.35	14.5	31.9	1.1
W913	15	3.96	130	13	1885	1750	5.0	3.67	14.0	30.8	1.0
W921	15	3.96	200	20	2900	1750	7.5	5.51	14.5	31.9	1.1
W928 T9281	15	3.96	275	27.5	4000	1750	11.0	8.08	14.5	31.9	1.1
W912	18	4.75	100	10	1450	1750	5.0	3.67	14.0	30.8	1.0
W916	18	4.75	160	16	2320	1750	7.5	5.51	14.5	31.9	1.1
W914	21	5.55	100	10	1450	1750	5.5	4.04	14.5	31.9	1.1
W922	21	5.55	200	20	2900	1750	10.0	7.35	14.5	31.9	1.1





\* Fissare con Loctite 542 col. ROSSO  
 \* Affix with Loctite 542 col. RED  
 \* Fixer avec de la Loctite 542 couleur ROUGE  
 \* Mit Loctite 542 ROT befestigen  
 \* Fijar con Loctite 542 col. ROJO  
 \* Fixar com Loctite 542 cor. VERMELHA



**W92 - W101 - W131**  
**W132 - W151**  
**W162 - W201**

**KIT RICAMBI – SPARE KITS**

KIT Nr.	KIT 1	KIT 2	KIT 3	KIT 6	KIT 4	NICKEL	PISTONE - PISTON Ø20			PISTONE - PISTON Ø22				
							KIT 5	KIT 7	KIT 10	KIT 28	KIT 69	KIT 14	KIT 29	KIT 148
Posizioni include Positions included (11)	4-5 6-7 8	16	41	31-34 36-37 38	9-10	9-10	45	42-43 44-45 46-47 56	44-47 56	46-47	42-43 44-45 46-47 56	44-47 56	46-47	
Nr. Pcs.	6	3	2	3	6	6	6	3	1	3	3	6	3	3

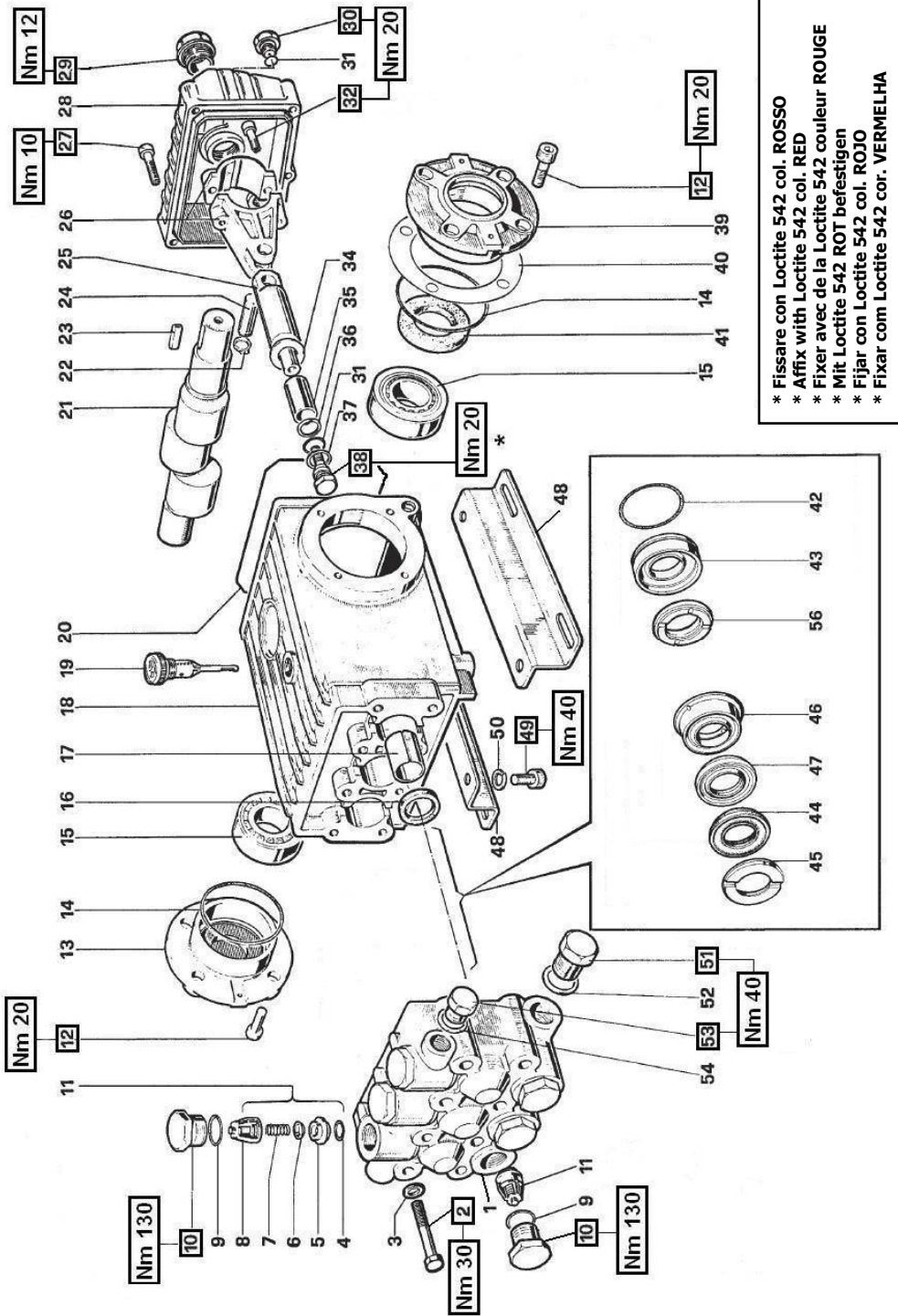
PISTONE – PISTON Ø20		PISTONE – PISTON Ø22	
OTTONE BRASS	<b>W101 - W131</b> <b>W151</b>	<b>W92 - W132</b>	
NICKEL	<b>W201</b>	<b>W162</b>	

**DISTINTA – SPARE PARTS**


POS	COD.	DESCRIZIONE – DESCRIPTION - KIT	NR
1	47.1201.41 47.1202.41	Testata Ø 20-22 Testata Ø 20-22 - NICKEL	1 1
2	99.3206.00	Vite M8x70 UNI 5737	8
3	96.7020.00	Rosetta Ø 8 UNI 1736	8
4	90.3841.00	OR Ø 17.13x2.62 (3068)	1
5	36.2003.66	Sede valvola	1
6	36.2001.76	Valvola	1
7	94.7376.00	Molla Ø 9.4x14.8	1
8	36.2002.51	Guida valvola	1
9	90.3847.00	OR Ø 20.24x2.62 (3081)	4-5
10	98.2220.00 98.2222.00	Tappo M24x2x16.5 Tappo M24x2x16.5 – NICKEL	4 5
11	36.7032.01	Gruppo valvola	1
12	99.3039.00	Vite M8x16 UNI 5931	8
14	90.3913.00	OR Ø 67.95x2.62 (3325)	2
15	91.8375.00	Cuscinetto a rulli 32206	2
16	90.1625.00	Anello rad. Ø 22x32x2.5	2
17	90.9126.00	Boccola Ø 22x25x30	3

POS	COD.	DESCRIZIONE – DESCRIPTION - KIT	NR
18	47.0100.22	Carter	1
19	98.2106.00	Tappo carico olio G 3/8"	1
20	90.3922.00	OR Ø 133.02x2.62 (3525)	1
21	47.0200.35 47.0201.35 47.0211.35	Albero – D. PTO - W92-W101 Albero – D. PTO - W132-W151-W162-W201 Albero – D. PTO - W131	1 1 1
22	90.0557.00	Anello di ferro Ø 12	6
23	91.4878.00	Linguetta 8x7x25 UNI 6604	1
24	97.7380.00	Spinotto Ø 13x35	3
25	47.0503.56 47.0504.54 47.0505.54	Guida pistone - W162-W201 Guida pistone - W92 -W101 Guida pistone - W132-W131-W151	3 3 3
26	47.0300.01	Biella completa	3
27	99.1837.00 99.1912.00	Vite M6x14 UNI 5931 - W92-W101 Vite M6x30 UNI 5931 - W132-W131 W151-W162-W201	5 5
28	47.1600.22 47.1601.22	Coperchio carter - W92-W101 Coperchio carter - W132-W131-W151 W162-W201	1 1
29	97.5968.00	Spia livello olio G 3/4"	1
30	98.2041.00	Tappo G 1/4"x9	1
31	90.3585.00	OR Ø 10.82x1.78 (2043)	6
32	99.3099.00	Vite M8x35 UNI 5931	6
34	96.7286.00	Rosetta Ø 14x28x0.5	6
35	47.0404.09 47.0405.09	Pistone Ø 20 Pistone Ø 22	3 3
36	90.5067.00	Anello antiest. Ø 11x14x1.5	6

POS	COD.	DESCRIZIONE – DESCRIPTION - KIT	NR
37	96.7280.00	Rosetta Ø 14x18.5x0.5	6
38	47.2195.66	Vite fissaggio pistone	6
39	47.1510.22	Coperchio cuscinetto	2
40	97.5678.00	Spessore	2
41	90.1648.00	Anello rad. Ø 30x55x7	3
42	90.3616.00	OR Ø 34.65x1.78 (2137)	10-14-28-29
43	47.0805.70 47.0806.70	Anello di fondo Ø 20 Anello di fondo Ø 22	10-28 14-29
44	90.2705.00 90.2705.00	Anello tenuta Ø 20 H.P. Anello tenuta Ø 22 H.P.	28-69 29-148
45	47.1000.51 46.1000.51	Anello di testa Ø 20 Anello di testa Ø 22	7-28 11-29
46	47.2169.70 47.2170.70	Anello intermedio Ø 20 Anello intermedio Ø 22	28-71 29-149
47	90.2704.00 90.2730.00	Anello RESTOP Ø 20 Anello RESTOP Ø 22	28-69-71 29-148-149
48	47.2000.74	Piedino	2
49	99.3644.00	Vite M10x18 UNI 5931	4
50	96.7106.00	Rosetta Ø 10 DIN 7980	4
51	98.2176.00	Tappo G 1/2"x10	1
52	96.7514.00	Rosetta Ø 21.5x27x1.5	1
53	98.2100.00	Tappo G 3/8"x13	1
54	96.7380.00	Rosetta Ø 17.5x23x1.5	1
55	47.2124.51	Cappello PTO	1
56	90.2710.00 90.2728.00	Anello tenuta Ø 20 L.P. Anello tenuta Ø 22 L.P.	28-69 29-148



\* Fissare con Loctite 542 col. ROSSO  
 \* Affix with Loctite 542 col. RED  
 \* Fixer avec de la Loctite 542 couleur ROUGE  
 \* Mit Loctite 542 ROT befestigen  
 \* Fijar con Loctite 542 col. ROJO  
 \* Fixar com Loctite 542 cor. VERMELHA

	<b>PISTONE - PISTON Ø20</b> WS82 - WS101 - WS133 W912 - W913 - WS102 WS131 - WS151 WS171 - WS201 - W916 WS152 - WS202 - W921 W914 - W922
<b>OTTONE BRASS</b>	WS82 - WS101 - WS133 W912 - W913 - WS102 WS131 - WS151 WS171
<b>NICKEL</b>	WS201 - W916 - WS152 WS202 - W921 - W922

<b>PISTONE - PISTON Ø20</b>	WS82 - WS101 - WS133 W912 - W913 - WS102 WS131 - WS151 - WS171 W914
<b>OTTONE BRASS</b>	WS82 - WS101 - WS133 W912 - W913 - WS102 WS131 - WS151 WS171
<b>NICKEL</b>	WS201 - W916 - WS152 WS202 - W921 - W922

<b>KIT RICAMBI - SPARE KITS</b>	KIT 1	KIT 2	KIT 3	KIT 6
KIT Nr.	4-5 6-7 8 (11)	16	41	31-34 36-37 38
Posizioni incluse Positions included				
Nr. Pcs.	6	3	2	3

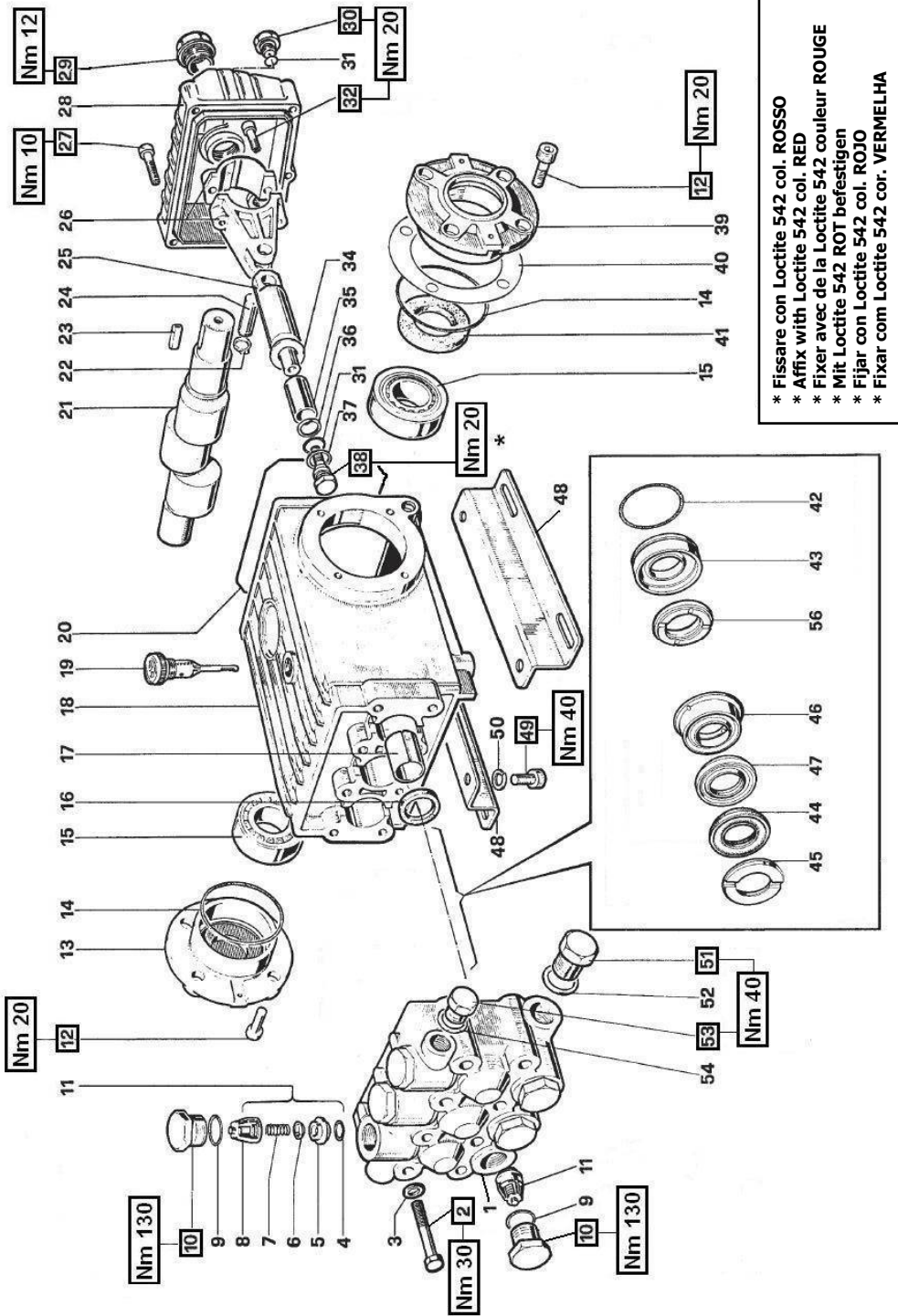
<b>OTTONE BRASS</b>	KIT 4	KIT 5	KIT 7	KIT 10	KIT 28	KIT 69	KIT 71
	9-10	9-10	45	42-43 44-45 46-47 56	42-43 44-45 46-47 56	44-47 56	46-47
<b>NICKEL</b>							
	6	6	6	3	1	3	3

POS	COD.	DESCRIZIONE - DESCRIPTION - KIT	NR
1	47.1201.41	Testata Ø 20	1
1	47.1202.41	Testata Ø 20 - NICKEL	1
2	99.3206.00	Vite M8x70 UNI 5737	8
3	96.7020.00	Rosetta Ø 8 UNI 1736	8
4	90.3841.00	OR Ø 17.13x2.62 (3068)	1
5	36.2003.66	Sede valvola	1
6	36.2001.76	Valvola	1
7	94.7376.00	Molla Ø 9.4x14.8	1
8	36.2002.51	Guida valvola	1
9	90.3847.00	OR Ø 20.24x2.62 (3081)	4-5
10	98.2220.00	Tappo M24x2x16.5	4
10	98.2222.00	Tappo M24x2x16.5 - NICKEL	5
11	36.7032.01	Gruppo valvola	1
12	99.3039.00	Vite M8x16 UNI 5931	8
13	47.1511.22	Coperchio cuscinetto	1
14	90.3913.00	OR Ø 67.95x2.62 (3325)	2
15	91.8375.00	Cuscinetto 32206	2
15	91.8377.00	Cuscinetto 32206 - WS152-WS202-W921	2
16	90.1625.00	Anello rad. Ø 22x32x2.5	2
17	90.9126.00	Boccola Ø 22x25x30	3
18	47.0100.22	Carter	1
	47.0102.22	Carter - WS152-WS202-W921	1

**DISTINTA - SPARE PARTS**

POS	COD.	DESCRIZIONE - DESCRIPTION - KIT	NR
19	98.2106.00	Tappo carico olio G 3/8"	1
20	90.3922.00	OR Ø 133.02x2.62 (3525)	1
	47.0204.35	Albero - WS102	1
	47.0206.35	Albero - WS151-WS201-W916-W914-W922	1
	47.0210.35	Albero - WS131	1
	47.0215.35	Albero - WS171	1
21	47.0217.35	Albero - WS82-WS152-WS202	1
	47.0218.35	Albero - WS101-W912	1
	47.0219.35	Albero - WS133-W913-W921	1
	47.0230.35	Albero - W914-W922	1
22	90.0557.00	Anello di fermo Ø 12	6
23	91.4890.00	Linguetta 8x7x35 UNI 6604	1
24	97.7380.00	Spinotto Ø 13x35	3
	47.0503.56	Guida pistone - WS201-W916-WS152-W922	3
	WS202-W921		
25	47.0504.54	Guida pistone - WS82-WS101-WS133-W912 W913	3
	47.0505.54	Guida pistone - WS102-WS131-WS151 WS171-W914	3
26	47.0300.01	Biella completa	3
	99.1837.00	Vite M6x14 UNI 5931 - WS82-WS101 WS133-W912-W913	5
27	99.1912.00	Vite M6x30 UNI 5931 - WS102-WS131 WS151-WS171-WS201-W916-WS152-WS202 W921-W914-W922	5
	47.1600.22	Coperchio carter - WS82-WS101-WS133 W912-W913	1
28	47.1601.22	Coperchio carter - WS102-WS131-WS151 WS171-WS201-W916-WS152-WS202-W921 W914-W922	1
29	97.5968.00	Spia livello olio G 3/4"	1
30	98.2041.00	Tappo G 1/4"x9	1
31	90.3585.00	OR Ø 10.82x1.78 (2043)	6
32	99.3099.00	Vite M8x35 UNI 5931	6

POS	COD.	DESCRIZIONE - DESCRIPTION - KIT	NR
34	96.7286.00	Rosetta Ø 14x28x0.5	3
35	47.0404.09	Pistone Ø 20	3
36	90.5067.00	Anello antiest. Ø 11x14x1.5	6
37	96.7280.00	Rosetta Ø 14x18.5x0.5	6
38	47.2195.66	Vite fissaggio pistone	6
39	47.1510.22	Coperchio cuscinetto	1
40	97.5678.00	Spessore	2
41	90.1648.00	Anello rad. Ø 30x55x7	3
42	90.3616.00	OR Ø 34.65x1.78 (2137)	10-28
43	47.0805.70	Anello di fondo Ø 20	10-28
44	90.2705.00	Anello tenuta Ø 20 H.P.	28-69
45	47.1000.51	Anello di testa Ø 20	7-28
46	47.2169.70	Anello intermedio Ø 20	28-71
47	90.2704.00	Anello RESTOP Ø 20	28-69-71
48	47.2000.74	Piedino	2
49	99.3644.00	Vite M10x18 UNI 5931	4
50	96.7106.00	Rosetta Ø 10 DIN 7980	4
51	98.2176.00	Tappo G 1/2"x10	1
52	96.7514.00	Rosetta Ø 21.5x27x1.5	1
53	98.2100.00	Tappo G 3/8"x13	1
54	96.7380.00	Rosetta Ø 17.5x23x1.5	1
56	90.2710.00	Anello tenuta Ø 20 L.P.	28-69



\* Fissare con Loctite 542 col. ROSSO  
 \* Affix with Loctite 542 col. RED  
 \* Fixer avec de la Loctite 542 couleur ROUGE  
 \* Mit Loctite 542 ROT befestigen  
 \* Fijar con Loctite 542 col. ROJO  
 \* Fixar com Loctite 542 cor. VERMELHA



**WS92 - WS132  
WS162**

<b>PISTONE - PISTON Ø22</b>	
<b>OTTONE BRASS</b>	<b>WS92 - WS132</b>
<b>NICKEL</b>	<b>WS162</b>

**KIT RICAMBI - SPARE KITS**

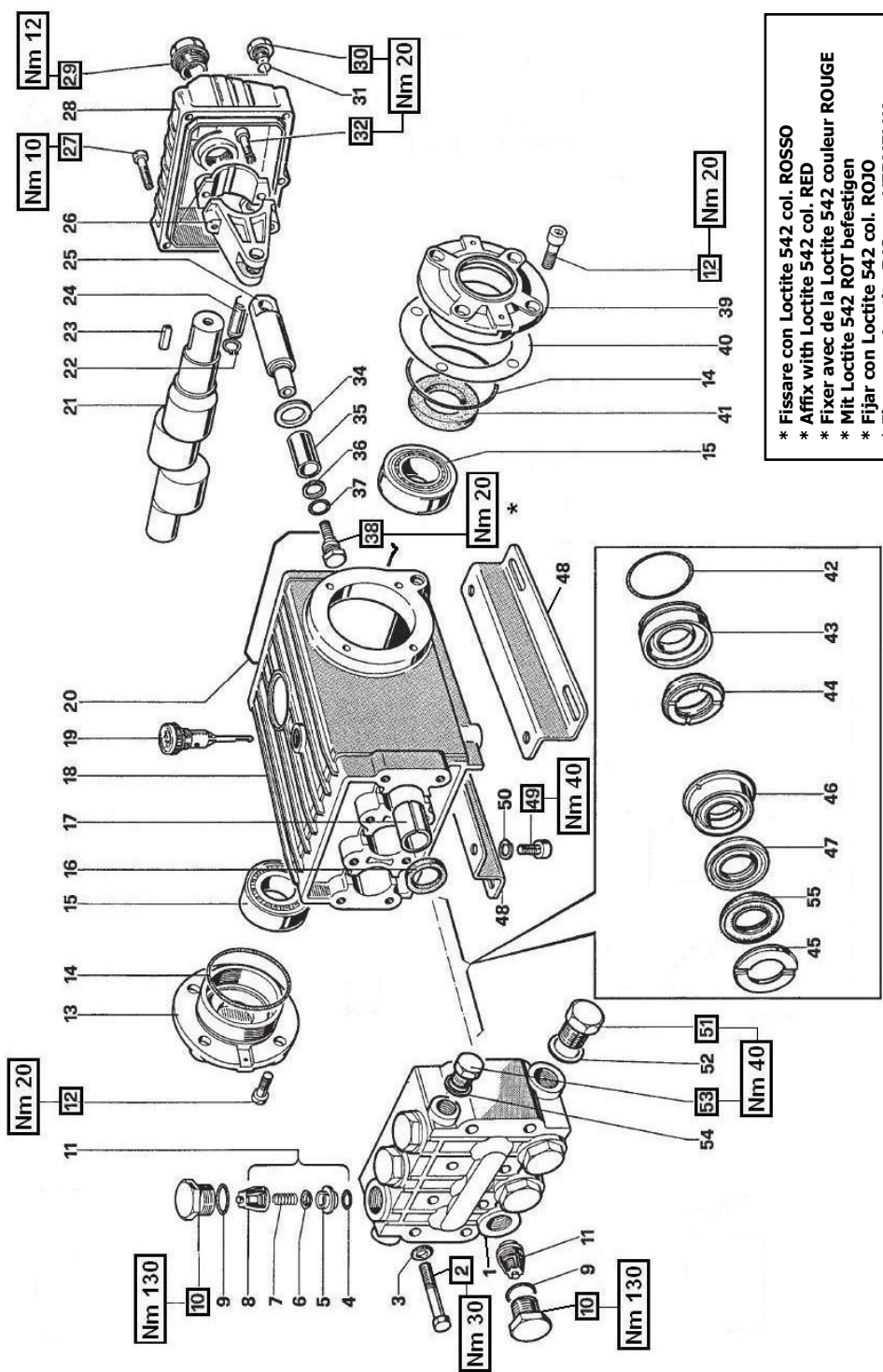
KIT NR.	KIT 1	KIT 2	KIT 3	KIT 6	OTTONE BRASS	NICKEL	PISTONE - PISTON Ø22				
Posizioni incluse Positions included	4-5 6-7 8 (11)	16	41	31-34 36-37 38	9-10	9-10	KIT 11	KIT 14	KIT 29	KIT 148	KIT 149
Nr. Pcs.	6	3	2	3	6	6	6	3	1	3	3

POS	COD.	DESCRIZIONE - DESCRIPTION - KIT	NR
18	47.0100.22	Carter	1
19	98.2106.00	Tappo carico olio G 3/8"	1
20	90.3922.00	OR Ø 133.02x2.62 (3525)	1
21	47.0206.35 47.0218.35	Albero - WS132-WS162 Albero - WS92	1 1
22	90.0557.00	Anello di fermo Ø 12	6
23	91.4890.00	Linguetta 8x7x35 UNI 6604	1
24	97.7380.00	Spinotto Ø 13x35	3
25	47.0503.56 47.0504.54 47.0505.54	Guida pistone - WS162 Guida pistone - WS92 Guida pistone - WS132	3 3 3
26	47.0300.01	Biella completa	3
27	99.1837.00 99.1912.00	Vite M6x14 UNI 5931 - WS92 Vite M6x30 UNI 5931 - WS132-WS162	5 5
28	47.1600.22 47.1601.22	Coperchio carter - WS92 Coperchio carter - WS132-WS162	1 1
29	97.5968.00	Spia livello olio G 3/4"	1
30	98.2041.00	Tappo G 1/4"x9	1
31	90.3585.00	OR Ø 10.82x1.78 (2043)	6
32	99.3099.00	Vite M8x35 UNI 5931	6
34	96.7286.00	Rosetta Ø 14x28x0.5	6
35	47.0405.09	Pistone Ø 22	3
36	90.5067.00	Anello antiest. Ø 11x14x1.5	6
37	96.7280.00	Rosetta Ø 14x18.5x0.5	6

**DISTINTA - SPARE PARTS**

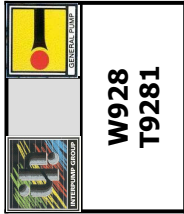
POS	COD.	DESCRIZIONE - DESCRIPTION - KIT	NR
1	47.1201.41 47.1202.41	Testata Ø 22 Testata Ø 22 - NICKEL	1 1
2	99.3206.00	Vite M8x70 UNI 5737	8
3	96.7020.00	Rosetta Ø 8 UNI 1736	8
4	90.3841.00	OR Ø 17.13x2.62 (3068)	1
5	36.2003.66	Sede valvola	1
6	36.2001.76	Valvola	1
7	94.7376.00	Molla Ø 9.4x14.8	1
8	36.2002.51	Guida valvola	1
9	90.3847.00	OR Ø 20.24x2.62 (3081)	4-5
10	98.2220.00 98.2222.00	Tappo M24x2x16.5 Tappo M24x2x16.5 - NICKEL	4 5
11	36.7032.01	Gruppo valvola	1
12	99.3039.00	Vite M8x16 UNI 5931	8
13	47.1511.22	Coperchio cuscinetto	1
14	90.3913.00	OR Ø 67.95x2.62 (3325)	2
15	91.8375.00	Cuscinetto 32206	2
16	90.1625.00	Anello rad. Ø 22x32x2.5	2
17	90.9126.00	Boccoia Ø 22x25x30	3

POS	COD.	DESCRIZIONE - DESCRIPTION - KIT	NR
38	47.2195.66	Vite fissaggio pistone	6
39	47.1510.22	Coperchio cuscinetto	1
40	97.5678.00	Spessore	2
41	90.1648.00	Anello rad. Ø 30x55x7	3
42	90.3616.00	OR Ø 34.65x1.78 (2137)	14-29
43	47.0806.70	Anello di fondo Ø 22	14-29
44	90.2725.00	Anello tenuta Ø 22 H.P.	29-148
45	46.1000.51	Anello di testa Ø 22	11-29
46	47.2170.70	Anello intermedio Ø 22	29-149
47	90.2730.00	Anello RESTOP Ø 22	29-148-149
48	47.2000.74	Piedino	2
49	99.3644.00	Vite M10x18 UNI 5931	4
50	96.7106.00	Rosetta Ø 10 DIN 7980	4
51	98.2176.00	Tappo G 1/2"x10	1
52	96.7514.00	Rosetta Ø 21.5x27x1.5	1
53	98.2100.00	Tappo G 3/8"x13	1
54	96.7380.00	Rosetta Ø 17.5x23x1.5	1
56	90.2728.00	Anello tenuta Ø 22 L.P.	29-148



\* Fissare con Loctite 542 col. ROSSO  
 \* Affix with Loctite 542 col. RED  
 \* Fixer avec de la Loctite 542 couleur ROUGE  
 \* Mit Loctite 542 ROT befestigen  
 \* Fijar con Loctite 542 col. ROJO  
 \* Fixar com Loctite 542 cor. VERMELHA





## KIT RICAMBI – SPARE KITS

KIT Nr.	KIT 1	KIT 2	KIT 3	KIT 106	KIT 107	KIT 108	KIT 109	KIT 110	KIT 111	KIT 112
Posizioni include Positions included (11)	4-5 6-7 8 (11)	16	41	9-10	36-37 38	45	44-47 55	46	42-43	42-43 44-45 46-47 55
Nr. Pcs.	6	3	2	6	3	6	3	3	3	1

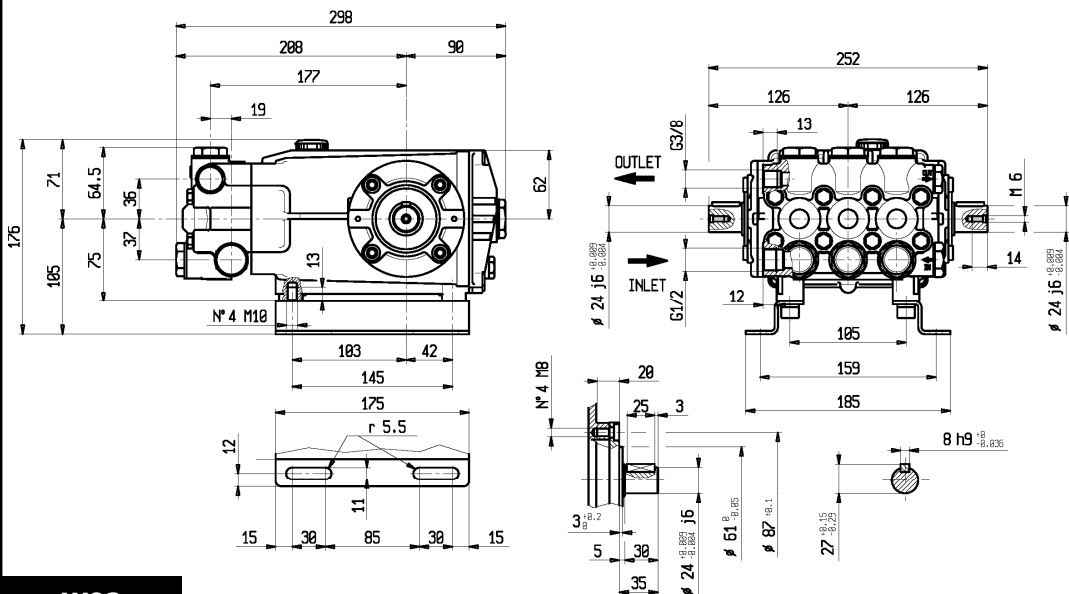
## DISTINTA – SPARE PARTS

POS	COD.	DESCRIZIONE – DESCRIPTION - KIT	NR
1	47.1214.41	Testata Ø 16 - NICKEL	1
2	99.3206.00	Vite M8x70 UNI 5737	8
3	96.7020.00	Rosetta Ø 8 UNI 1736	8
4	90.3841.00	OR Ø 17.13x2.62 (3068)	1
5	36.2003.66	Sede valvola	1
6	36.2001.76	Valvola	1
7	94.7376.00	Molla Ø 9.4x14.8	1
8	36.2002.51	Guida valvola	1
9	90.3847.00	OR Ø 20.24x2.62 (3081)	106
10	98.2224.00	Tappo M24x1.5x17.5 – H.P.	106
11	36.7032.01	Gruppo valvola	1
12	99.3039.00	Vite M8x16 UNI 5931	8
13	47.1511.22	Coperchio cuscinetto	1
14	90.3913.00	OR Ø 67.95x2.62 (3325)	2
15	91.8377.00	Cuscinetto a rulli 32206	2
16	90.1625.00	Anello rad. Ø 22x32x2.5	2
17	90.9126.00	Boccola Ø 22x25x30	3
18	47.0102.22	Carter	1
19	98.2106.00	Tappo carico olio G 3/8"	1
20	90.3922.00	OR Ø 133.02x2.62 (3525)	1
21	47.0217.35	Albero	1

POS	COD.	DESCRIZIONE – DESCRIPTION - KIT	NR
22	90.0557.00	Anello di fermo Ø 12	6
23	91.4890.00	Linguetta 8x7x35 UNI 6604	1
24	97.7380.00	Spinotto Ø 13x35	3
25	47.0506.54	Guida pistone	3
26	47.0300.01	Biella completa	3
27	99.1912.00	Vite M6x30 UNI 5931	5
28	47.1601.22	Coperchio carter	1
29	97.5968.00	Spia livello olio G 3/4"	1
30	98.2041.00	Tappo G 1/4"x9	1
31	90.3585.00	OR Ø 10.82x1.78 (2043)	1
32	99.3099.00	Vite M8x35 UNI 5931	6
34	47.2117.47	Anello di protezione	3
35	47.0408.09	Pistone Ø 16	3
36	90.5033.00	Anello antiest. Ø 8x11x1.5	107
37	90.3577.00	OR Ø 7.66x1.78 – Spec.	107
38	47.2196.66	Vite fissaggio pistone	107
39	47.1510.22	Coperchio cuscinetto	1
40	97.5678.00	Spessore	2
41	90.1648.00	Anello rad. Ø 30x55x7	3
42	90.3616.00	OR Ø 34.65x1.78 (2137)	111-112
43	47.0808.70	Anello di fondo Ø 16	111-112
44	90.2644.00	Anello tenuta Ø 16 L.P.	109-112

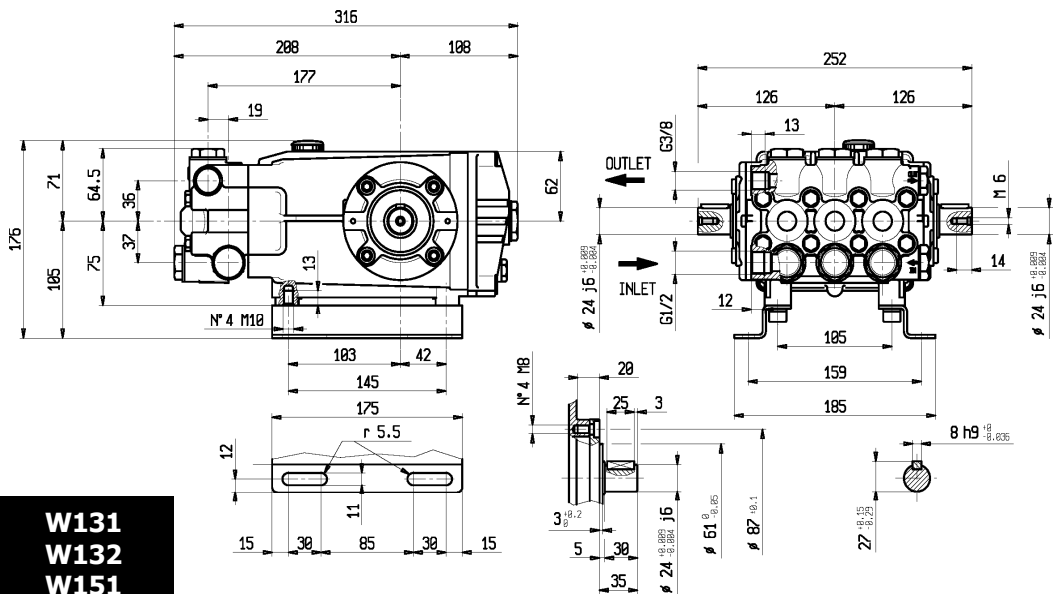
POS	COD.	DESCRIZIONE – DESCRIPTION - KIT	NR
45	47.1003.51	Anello di testa Ø 16	108-112
46	47.2172.70	Anello intermedio Ø 16	110-112
47	90.2643.00	Anello RESTOP Ø 16	109-112
48	47.2000.74	Piedino	2
49	99.3644.00	Vite M10x18 UNI 5931	4
50	96.7106.00	Rosetta Ø 10 DIN 7980	4
51	98.2176.00	Tappo G 1/2"x10	1
52	96.7514.00	Rosetta Ø 21.5x27x1.5	1
53	98.2100.00	Tappo G 3/8"x13	1
54	96.7380.00	Rosetta Ø 17.5x23x1.5	1
55	90.2642.00	Anello tenuta Ø 16 H.P.	109-112

**DIMENSIONI D'INGOMBRO – OVERALL DIMENSIONS – DIMENSIONS D'ENCOMBREMENT  
RAUMBEDARF – DIMENSIONES TOTALES – DIMENSÕES**



**W92  
W101**

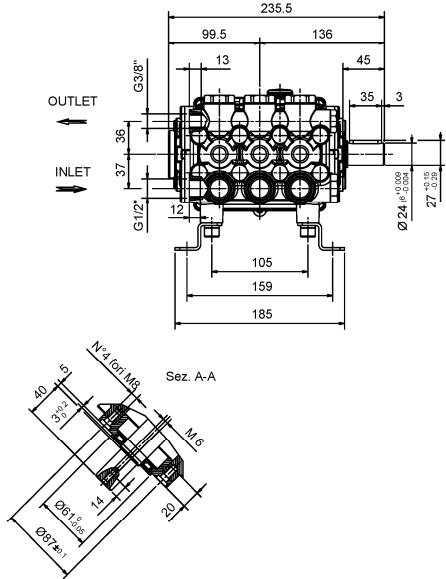
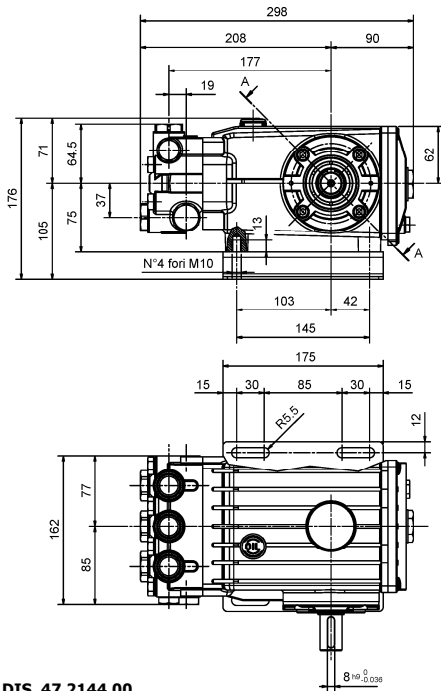
**COD. DIS. 47.2140.00**



**W131  
W132  
W151  
W162  
W201**

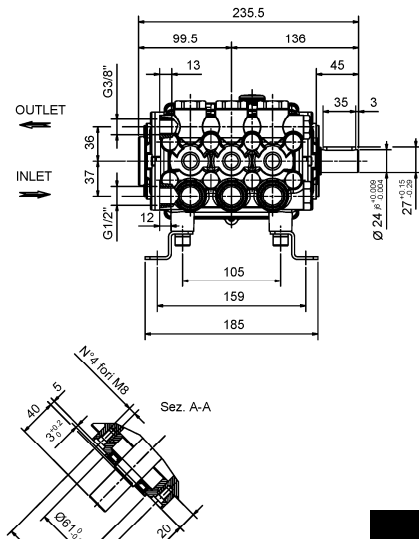
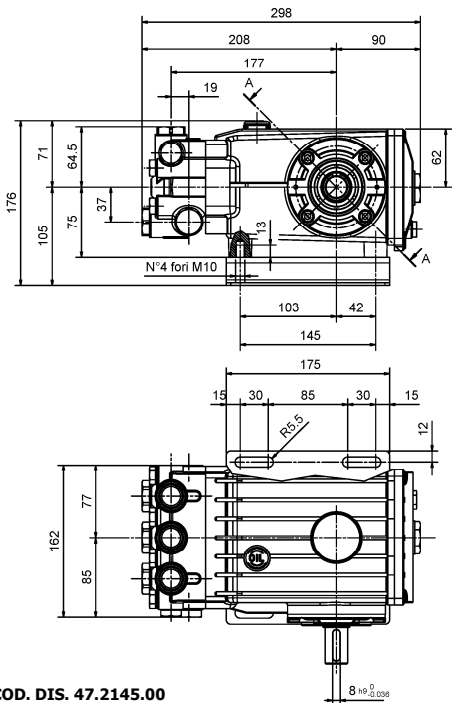
**COD. DIS. 47.2141.00**

**DIMENSIONI D'INGOMBRO – OVERALL DIMENSIONS – DIMENSIONS D'ENCOMBREMENT  
RAUMBEDARF – DIMENSIONES TOTALES – DIMENSÕES**



**COD. DIS. 47.2144.00**

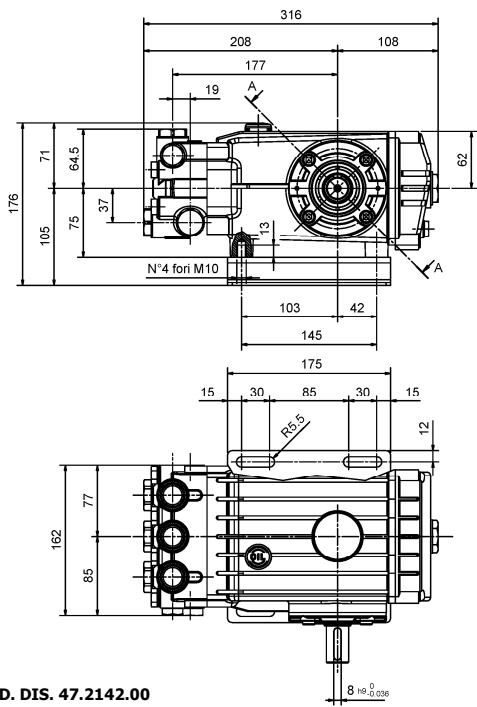
**WS82**



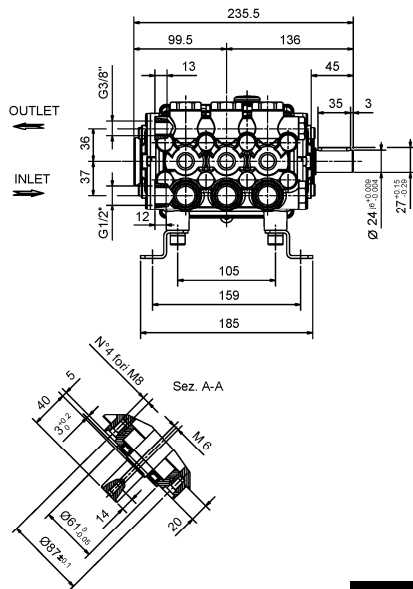
**COD. DIS. 47.2145.00**

**WS92  
WS101  
WS133  
W912  
W913**

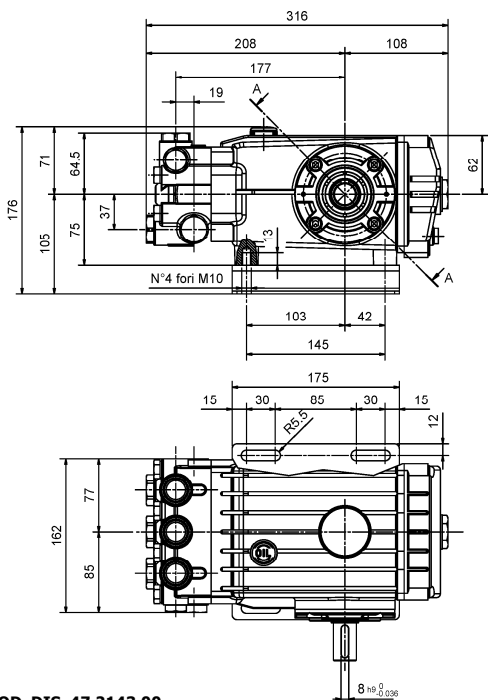
**DIMENSIONI D'INGOMBRO – OVERALL DIMENSIONS – DIMENSIONS D'ENCOMBREMENT  
RAUMBEDARF – DIMENSIONES TOTALES – DIMENSÕES**



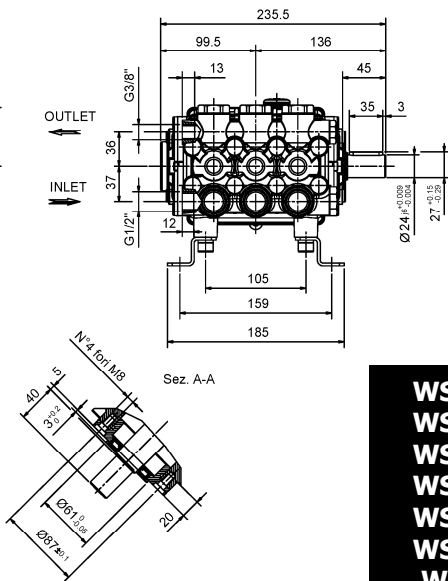
**COD. DIS. 47.2142.00**



**WS102  
WS152  
WS202**

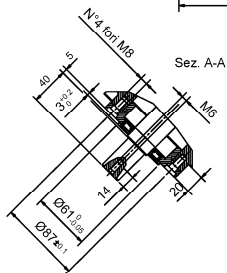
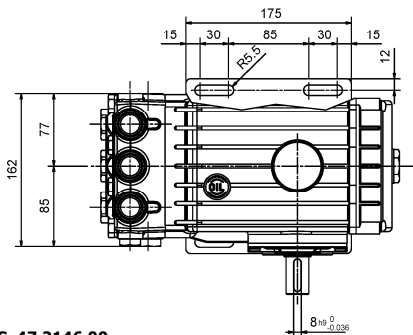
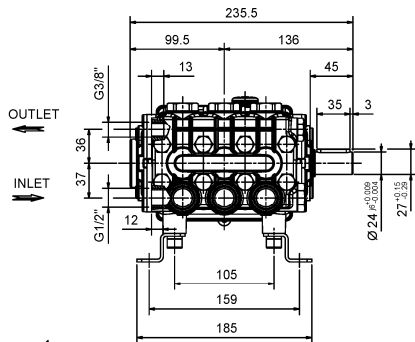
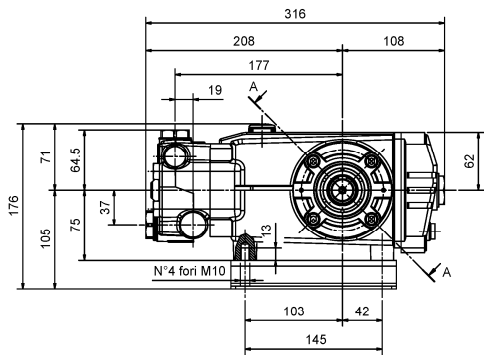


**COD. DIS. 47.2143.00**



**WS131  
WS132  
WS151  
WS162  
WS171  
WS201  
W916  
W921  
W914  
W922**

**DIMENSIONI D'INGOMBRO – OVERALL DIMENSIONS – DIMENSIONS D'ENCOMBREMENT  
 RAUMBEDARF – DIMENSIONES TOTALES – DIMENSÕES**

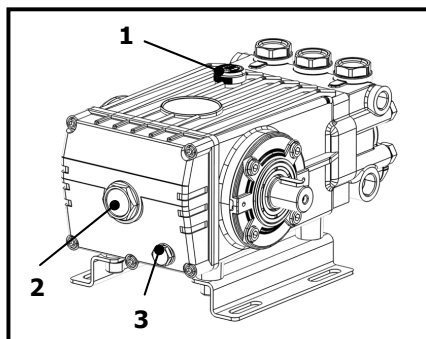


**COD. DIS. 47.2146.00**

**W928  
T9281**

## 1 - CAMBIO OLIO

- 1.1 – Il cambio dell'olio va eseguito con pompa a temperatura di lavoro.
- 1.2 – Posizionare un recipiente sotto il tappo di scarico olio (3).
- 1.3 – Rimuovere il tappo con asta (1) e successivamente il tappo di scarico (3).
- 1.4 – Attendere fino a quando tutto l'olio è uscito, quindi riavvitare il tappo di scarico (3) con la coppia torcente indicata su disegno esploso.
- 1.5 – Riempire con olio nuovo fino al raggiungimento della mezzeria del tappo spia livello olio (2) e riavvitare il tappo con asta (1) .



**Per il tipo di olio da utilizzare fare riferimento a quanto indicato sul libretto generico.**



**ATTENZIONE: L'olio esausto deve essere raccolto in recipienti e smaltito negli appositi centri in accordo alla normativa vigente. Non deve essere assolutamente disperso nell'ambiente.**

## 1 – OIL CHANGING

- 1.1 – Oil changing must be done with the pump at operating temperature.
- 1.2 – Put a container under the oil drain plug (3).
- 1.3 – Remove the oil dipstick (1) and then the drain plug (3).
- 1.4 – Wait until all the oil has drained out, then screw the drain plug (3) and tighten at the torque shown in the exploded diagram.
- 1.5 – Fill with new oil until the middle of the oil level indicator (2) is reached, screw by hand the oil dipstick (1).

**Refer to the generic booklet for the type of oil to use.**



**WARNING: The exhaust oil must be collected in receptacles and disposed of at authorised centres as specified by law. It must not be thrown away in the environment.**

## 1 - CHANGEMENT DE L'HUILE

- 1.1 – Le changement de l'huile doit être exécuté avec la pompe à température d'exercice.
- 1.2 – Placer un récipient sous le bouchon de vidange de l'huile (3).
- 1.3 – Enlever le bouchon-jauge (1), puis enlever le bouchon de vidange (3).
- 1.4 – Attendre que toute l'huile soit sortie, puis revisser le bouchon de vidange (3) avec le couple de torsion qui est indiqué sur le dessin éclaté.
- 1.5 – Remplir avec de l'huile neuve jusqu'à la ligne médiane du bouchon indicateur du niveau d'huile (2), et revisser le bouchon-jauge (1).

**Pour le type d'huile à utiliser, se référer à ce qui est indiqué sur la notice générale.**



**ATTENTION : L'huile usée doit être recueillie dans des récipients et éliminée dans les centres prévus à cet effet, conformément à la réglementation en vigueur. Il ne faut absolument pas la jeter dans l'environnement.**

## 1 - ÖLWECHSEL

- 1.1 – Beim Ölwechsel muss die Pumpe Betriebstemperatur aufweisen.
- 1.2 – Unter den Ölablassverschluss (3) einen Behälter stellen.
- 1.3 – Den Verschluss mit dem Stab (1) und danach den Ablassverschluss (3) abnehmen.
- 1.4 – Warten, bis das gesamte Öl abgelassen ist und den Ablassverschluss (3) mit dem auf der Übersichtszeichnung angegebenen Drehmoment wieder anschrauben.
- 1.5 – Mit frischem Öl füllen, bis die Mittellinie des Ölstandkontrollverschlusses (2) erreicht ist und den Verschluss mit dem Stab (1) wieder anschrauben.

**Bezüglich der verwendbaren Ölsorten siehe die Angaben im allgemeinen Handbuch.**



**ACHTUNG: Das Altöl muss in Behältern gesammelt und gemäß den geltenden Vorschriften bei den hierfür vorgesehenen Zentren entsorgt werden. Es darf keinesfalls umweltschädigend entsorgt werden.**

---

## 1 - CAMBIO DE ACEITE

- 1.1 – El cambio de aceite se efectúa con bomba a temperatura de trabajo.
- 1.2 – Colocar un recipiente debajo del tapón de descarga de aceite (3).
- 1.3 – Extraer el tapón con varilla (1) y seguidamente el tapón de descarga (3).
- 1.4 – Esperar hasta que haya salido todo el aceite, volver a enroscar el tapón de descarga (3) con el par de torsión indicado en el despiece.
- 1.5 – Llenar con aceite nuevo hasta alcanzar la línea media del tapón indicador de nivel de aceite (2) y volver a enroscar el tapón con varilla (1).

**Para el tipo de aceite que debe utilizarse, remitirse a las indicaciones del manual general.**



**ATENCIÓN: El aceite residual debe recogerse en recipientes y eliminarse en los centros pertinentes de acuerdo con la normativa vigente. En ningún caso debe dispersarse en el ambiente.**

---

## 1 - TROCA DE ÓLEO

- 1.1 – A troca de óleo deve ser feita com a bomba na temperatura de trabalho.
- 1.2 – Posicionar um recipiente embaixo da tampa de descarga de óleo (3).
- 1.3 – Remover a tampa com o pino (1) e, em seguida, a tampa de descarga (3).
- 1.4 – Esperar que todo o óleo saia, recolocar a tampa de descarga (3) com o binário de torção indicado no desenho explodido.
- 1.5 – Encher com o óleo novo até chegar na linha da tampa de controle do nível do óleo (2) e recolocar a tampa com o pino (1).

**Para o tipo de óleo a ser utilizado, consultar as indicações do livro genérico.**



**ATENÇÃO: O óleo consumido deve ser coletado em recipientes e eliminado nos locais adequados, de acordo com a normativa vigente. Não deve, de modo algum, ser jogado no ambiente.**

## **Dichiarazione di incorporazione (Ai sensi dell'allegato II della Direttiva Europea 2006/42/CE).**

Il produttore **INTERPUMP GROUP S.p.A.** – Via E. Fermi, 25 – 42049 S.ILARIO D'ENZA (RE) - Italia

**DICHIARA** che il prodotto identificato e descritto come segue:

Denominazione: Pompa Tipo: Pompa alternativa a pistoni per acqua ad alta pressione

Marchio di fabbrica: INTERPUMP GROUP Modello: W101 – W131 – W151 – W201 – W92 – W132

W162 – WS133 – WS171 – WS101 – WS131 – WS151 – WS201 – WS92 – WS132 – WS162 – WS82

WS102 – WS152 – WS202 – W913 – W921 – W928 – T9281 – W912 – W916 – W914 – W922

Risulta essere conforme ai requisiti delle sotto elencate direttive e successivi aggiornamenti:

- Direttiva Macchine 2006/42/CE

- Direttiva sulla restrizione dell'uso di determinate sostanze pericolose 2002/95/CE - RoHS

- Direttiva sulla responsabilità del produttore 85/374/CE

UNI EN ISO 12100.1:2005 - UNI EN ISO 12100.2:2005 - UNI EN 809:2000

La pompa sopra identificata rispetta tutti i requisiti essenziali di sicurezza e di tutela della salute elencati nel punto 1 dell'allegato I della Direttiva Macchine e la relativa documentazione tecnica è stata compilata in conformità dell'allegato VII B.

Inoltre il produttore si impegna a rendere disponibile, a seguito di una richiesta adeguatamente motivata, copia della documentazione tecnica pertinente la pompa nei modi e nei termini da definire.

La pompa non deve essere messa in servizio finché l'impianto al quale la pompa deve essere incorporata è stato dichiarato conforme alle disposizioni delle relative direttive e/o norme.

Persona autorizzata a costituire il fascicolo tecnico Nome: Maurizio Novelli.

Indirizzo: INTERPUMP GROUP S.p.A. – Via E. Fermi, 25 – 42049 S. ILARIO D'ENZA (RE) – Italia

Persona autorizzata a redigere la dichiarazione: L'amministratore delegato Ing. Paolo Marinsek

Reggio Emilia 12/2009

Firma 

---

## **Declaration of incorporation (According to annex II of European Directive 2006/42/CE).**

The manufacturer **INTERPUMP GROUP S.p.A.** – Via E. Fermi, 25 – 42049 S.ILARIO D'ENZA (RE) - Italy

**DECLARE** that the device identified and described as follows:

Description: Pump Type: High pressure reciprocating pump for water

Trademark: INTERPUMP GROUP Model: W101 – W131 – W151 – W201 – W92 – W132

W162 – WS133 – WS171 – WS101 – WS131 – WS151 – WS201 – WS92 – WS132 – WS162 – WS82

WS102 – WS152 – WS202 – W913 – W921 – W928 – T9281 – W912 – W916 – W914 – W922

Complies with the requirements of the below-listed directives and following updates:

- Directive 2006/42/EC Machinery

- Directive 2002/95/EC Reduction of hazardous substances – RoHS

- Directive 85/374/EC Liability for defective products

UNI EN ISO 12100.1:2005 - UNI EN ISO 12100.2:2005 - UNI EN 809:2000

The above-mentioned pump complies with all the essential requirements of safety and health protection listed in annex I, point 1 of the Machinery Directive and the relevant technical documents are compiled in accordance with annex VII B.

Moreover, in response to a reasoned request, the manufacturer undertake to transmit copy of the technical documents on the pump within the terms and in the ways to be determined.

The pump must not be put into service until the system into which the pump is to be incorporated has been declared in conformity with the provisions of the relevant directives and/or norms.

Person authorized to compile the technical documents Name: Maurizio Novelli.

Address: INTERPUMP GROUP S.p.A. – Via E. Fermi, 25 – 42049 S. ILARIO D'ENZA (RE) – Italy

Person empowered to draw up the declaration: Ing. Paolo Marinsek (Managing Director)

Reggio Emilia 12/2009

Signature 



## Déclaration d'incorporation

(Aux termes de la pièce annexe II de la Directive Européenne 2006/42/CE).

Le fabricant **INTERPUMP GROUP S.p.A.** – Via E. Fermi, 25 – 42049 S.ILARIO D'ENZA (RE) - Italie  
**DÉCLARE** que le dispositif identifié et décrit ci-après:

Description: Pompe Type: Pompe à pistons alternatif pour l'eau haute pression

Marque de fabrique: INTERPUMP GROUP Modèle: W101 – W131 – W151 – W201 – W92 – W132

W162 – WS133 – WS171 – WS101 – WS131 – WS151 – WS201 – WS92 – WS132 – WS162 – WS82

WS102 – WS152 – WS202 – W913 – W921 – W928 – T9281 – W912 – W916 – W914 – W922

Est conforme aux normes des directives indiquées ci-après et aux suppléments successifs:

- Directive 2006/42/CE relative aux machines
  - Directive 2002/95/CE – RoHS relative à la limitation de l'utilisation de certaines substances dangereuses
  - Directive 85/374/CE en matière de responsabilité du fait des produits défectueux
- UNI EN ISO 12100.1:2005 - UNI EN ISO 12100.2:2005 - UNI EN 809:2000

La pompe identifiée ci-dessus est conforme à toutes les normes fondamentales de sécurité et de sauvegarde de la santé indiquées au point 1 de la pièce annexe I de la Directive relative aux machines et la documentation technique relative a été dressée conformément à la pièce annexe VII B.

De plus, le fabricant s'engage à fournir, à la suite d'une demande dûment motivée, copie de la documentation technique concernant la soupape selon les modalités et dans un délai à définir.


La pompe ne doit pas être utilisée jusqu'à ce que l'installation à laquelle la pompe doit être incorporée à été déclarée conforme aux dispositions des directives et/ou normes relatives.

Personne autorisée à préparer le dossier technique Nom: Maurizio Novelli.

Adresse: INTERPUMP GROUP S.p.A. – Via E. Fermi, 25 – 42049 S. ILARIO D'ENZA (RE) – Italie

Personne autorisée à rédiger la déclaration: Ing. Paolo Marinsek (Administrateur Délégué)

Reggio Emilia 12/2009

Signature 

## Einbauerklärung

(gemäß Anhang II der Richtlinie 2006/42/EG).

Der Hersteller **INTERPUMP GROUP S.p.A.** – Via E. Fermi, 25 – 42049 S.ILARIO D'ENZA (RE) - Italien  
**ERKLÄRT HIERMIT**, dass die im Folgenden identifizierte und beschriebene Ausrüstung:

Bezeichnung: Pumpe Type: Kolbenpumpe für Hochdruck-Wasser

Marke: INTERPUMP GROUP Modell: W101 – W131 – W151 – W201 – W92 – W132

W162 – WS133 – WS171 – WS101 – WS131 – WS151 – WS201 – WS92 – WS132 – WS162 – WS82

WS102 – WS152 – WS202 – W913 – W921 – W928 – T9281 – W912 – W916 – W914 – W922

den Anforderungen der unten angeführten Richtlinien und nachfolgenden Ergänzungen voll entspricht:

- Maschinenrichtlinie 2006/42/EG
  - Richtlinie zur Beschränkung der Verwendung bestimmter gefährlicher Stoffe 2002/95/EG - RoHS
  - Richtlinie über die Haftung des Herstellers 85/374/EG
- UNI EN ISO 12100.1:2005 - UNI EN ISO 12100.2:2005 - UNI EN 809:2000

Die oben angeführte Pumpe erfüllt alle wesentlichen Anforderungen zur Sicherheit und den Gesundheitsschutz, die unter Punkt I des Anhangs I der Maschinenrichtlinie aufgelistet sind; die entsprechenden technischen Unterlagen wurden gemäß Anhang VII B ausgestellt.

Der Hersteller verpflichten sich zudem, auf eine entsprechend begründete Anfrage eine Abschrift der technischen Unterlagen über das Pumpe auf eine noch festzulegende Art und Weise zur Verfügung zu stellen.

Die Pumpe darf nicht in Betrieb genommen werden, solange keine Konformitätserklärung für die Anlage, in die es eingebaut werden soll, entsprechend den Bestimmungen der Richtlinien und/oder Normen vorliegt.

Zur Zusammenstellung der technischen Unterlagen ermächtigte Person Name: Maurizio Novelli.

Adresse: INTERPUMP GROUP S.p.A. – Via E. Fermi, 25 – 42049 S. ILARIO D'ENZA (RE) – Italien

Zur Erstellung der Erklärung ermächtigte Person: Geschäftsführer Ing. Paolo Marinsek

Reggio Emilia 12/2009

Unterschrift 

## Declaración de incorporación

(Con fundamento en el anexo II de la Directiva Europea 2006/42/CE).

**INTERPUMP GROUP S.p.A.** – Vía E. Fermi, 25 – 42049 S.ILARIO D'ENZA (RE) – Italia, en su calidad de fabricante, **DECLARA** que el producto que se identifica y describe a continuación :

Denominación: Bomba

Tipo: Bomba alternativa de pistones para agua de alta presión

Marca de fábrica: INTERPUMP GROUP

Modelo: W101 – W131 – W151 – W201 – W92 – W132

W162 – WS133 – WS171 – WS101 – WS131 – WS151 – WS201 – WS92 – WS132 – WS162 – WS82

WS102 – WS152 – WS202 – W913 – W921 – W928 – T9281 – W912 – W916 – W914 – W922

Cumple con los requisitos establecidos por las Directivas que seguidamente se mencionan, así como en sus posteriores modificaciones:

- Directiva Máquinas 2006/42/CE

- Directiva 2002/95/CE relacionada con la restricción del uso de determinadas sustancias peligrosas

- Directiva 85/374/CE

UNI EN ISO 12100.1:2005 - UNI EN ISO 12100.2:2005 - UNI EN 809:2000

Esta bomba está conforme con todos los requisitos esenciales de seguridad y de protección de la salud prevista en el punto 1 del anexo I de la Directiva Máquinas, además, la respectiva documentación técnica ha sido elaborada de acuerdo con el anexo VIII.

Además, el fabricante se compromete a poner a disposición de quien lo solicite en forma idónea y motivada, de una copia de la documentación técnica de la respectiva bomba, en la forma y dentro de los términos que se convengan.

La bomba no debe ponerse en funcionamiento hasta que la instalación a la cual se deba conectar sea declarada conforme con las disposiciones exigidas por las directivas y/o normas respectivas.

Persona autorizada a formar el expediente técnico:      Nombre: Maurizio Novelli.

Dirección: INTERPUMP GROUP S.p.A. – Vía E. Fermi, 25 – 42049 S. ILARIO D'ENZA (RE) – Italia

Persona autorizada a rendir la declaración:                      Ing. Paolo Marinsek (Director Adjunto)

Reggio Emilia 12/2009

Firma 

---

## Declaração de incorporação

(Em conformidade com o anexo II da Directiva Europeia 2006/42/CE).

O fabricante **INTERPUMP GROUP S.p.A.** – Vía E. Fermi, 25 – 42049 S.ILARIO D'ENZA (RE) - Itália

**DECLARA** que o produto identificado e descrito como se segue:

Denominação: Bomba

Tipo: Bomba alternativa com pistão para água de alta pressão

Marca comercial: INTERPUMP GROUP

Modelo: W101 – W131 – W151 – W201 – W92 – W132

W162 – WS133 – WS171 – WS101 – WS131 – WS151 – WS201 – WS92 – WS132 – WS162 – WS82

WS102 – WS152 – WS202 – W913 – W921 – W928 – T9281 – W912 – W916 – W914 – W922

Está em conformidade com os requisitos das directivas abaixo elencadas e sucessivas actualizações:

- Directiva de Máquinas 2006/42/CE

- Directiva sobre a restrição do uso de determinadas substâncias perigosas 2002/95/CE

- Directiva sobre a responsabilidade do fabricante 85/374/CE

UNI EN ISO 12100.1:2005 - UNI EN ISO 12100.2:2005 - UNI EN 809:2000

A bomba acima identificada respeita todos os requisitos essenciais de segurança e de tutela da saúde elencados no ponto 1 do anexo I da Directiva de Máquinas e a relativa documentação técnica foi preenchida em conformidade com o anexo VII B.

Além disso o fabricante responsabiliza-se a disponibilizar, de seguida a um pedido adequadamente motivado, uma cópia da documentação técnica referente à bomba nos modos e nos termos a definir.

A bomba não deve ser colocada em funcionamento até que a instalação na qual a bomba deve ser incorporada for declarada em conformidade com as disposições das relativas directivas e/ou normas.

Pessoa autorizada a constituir o fascículo técnico                      Nome: Maurizio Novelli.

Morada: INTERPUMP GROUP S.p.A. – Vía E. Fermi, 25 – 42049 S. ILARIO D'ENZA (RE) – Itália

Pessoa autorizada para redigir a declaração:                      O administrador delegado Eng. Paolo Marinsek

Reggio Emilia 12/2009

Assinatura 



**COPYRIGHT** Il contenuto di questo libretto è di proprietà di INTERPUMP GROUP, ne è vietata la riproduzione e/o la divulgazione, anche parziale, a termini di legge.

**COPYRIGHT** The contents of this booklet are the property of INTERPUMP GROUP. Reproduction and divulgation, in whole or in part, are prohibited by law.

**COPYRIGHT** Le contenu de cette notice appartient à INTERPUMP GROUP : aux termes de la loi il est interdit de le reproduire et/ou de le divulguer, même partiellement.

**COPYRIGHT** Der Inhalt dieser Bedienungsanleitung ist Eigentum von INTERPUMP GROUP. Die auch nur teilweise Reproduktion und/oder Verbreitung ist gesetzlich verboten.

**COPYRIGHT** El contenido del presente manual es propiedad de INTERPUMP GROUP y está legalmente prohibida su reproducción y/o divulgación parcial o total.

**COPYRIGHT** O conteúdo deste livro é de propriedade da INTERPUMP GROUP, e é proibida a sua reprodução e/ou a sua divulgação, mesmo parcial, nos termos da lei.

---

**Le informazioni presenti su questo documento possono essere variate senza preavviso.**

**The information contained in this document may change without notice.**

**Les informations présentes sur ce document peuvent être changées sans besoin de préavis.**

**Die in diesem Dokument enthaltenen Informationen können ohne Vorankündigung geändert werden.**

**La información contenida en el presente documento puede modificarse sin previo aviso.**

**As informações contidas neste documento poderão ser sujeitas a alterações sem aviso prévio.**

---



**INTERPUMP GROUP**  
**S.p.A**

VIA FERMI, 25 42049 S.ILARIO – REGGIO EMILIA (ITALY)  
TEL. +39 – 0522 - 904311 TELEFAX +39 – 0522 – 904444  
E-mail: [info@interpumpgroup.it](mailto:info@interpumpgroup.it) - <http://www.interpumpgroup.it>