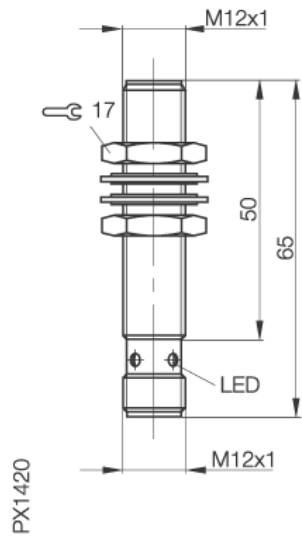


BES M12MI-PSC40B-S04G
BES0068

PNP
NO
flush mountable

BALLUFF
sensors worldwide



Electrical data:

Connection	Connector S4 (M12)
Time delay before availability	10 ms
No-load supply current damped	= 15 mA
Switching element function	NO
Operating frequency (f)	300 Hz
Electrical type	DC
No-load supply current undamped	15 mA
Voltage drop max. static	2,5 V
Supply voltage max. (Ub)	30 V
Rated operational voltage (Ue)	24 DC V
Utilization category	DC 13
Hysteresis max (H)	15 %
Switching output	PNP
Load current capacity (Ie)	200 mA
Off-state current max (Ir)	20 µA
Ripple max. of Ue	= 15 %
Supply voltage min. (Ub)	12 V

Mechanical data:

Number of Wires	3-wire
Mounting	flush mountable
Degree of pollution	3
Sensing face material	LCP
Ambient temperature max	+70 °C
Ambient temperature min	-25 °C
Diameter	M12x1 mm
Repeat accuracy max. (R)	5 %
Rated operating distance (sn)	4 mm
Assured operating distance	0...3,2 mm
Housing material	CuZn, nickel plated

General data:

Output indication	yes
Degree of protection IP	IP68 per BWN Pr 20
Insulation class	2
Short circuit protected	yes
Protected against polarity reversal	yes
Brand	GlobalProx
Approval	CE,ULZ1

Wiring:



Pinout:
Pinout



www.balluff.com

Balluff Europe: +49 7158 173 -0
Balluff USA: 1-800-54 3-83 90
Balluff Asia: +86 21-50 64 41 31

Online Productinformation
2010-02-11