

**PC T5 COMBO Ip, 220 – 240 V 50/60 Hz**

Linear fluorescent lamps

**Product description**

- \_ Combination of electronic ballast and emergency lighting unit
- \_ For T5 fluorescent lamps
- \_ Low profile casing (21 x 30 mm cross-section)
- \_ For manual testing of the emergency lighting function
- \_ 5-year guarantee

**Properties**

- \_ Lightweight one-part emergency lighting unit
- \_ Simple wiring
- \_ No compatibility problems
- \_ 1 or 3 h rated duration
- \_ Selectable operating time (jumper)
- \_ Lamp warm start in normal operation
- \_ Cathode heating in emergency mode
- \_ AC operation of all lamps
- \_ Automatic restart after relamping in normal operation
- \_ Green charge status display LED
- \_ Intelligent Voltage Guard (overvoltage indication and undervoltage shutdown)
- \_ Optional test switch
- \_ Checking the emergency lighting function by interrupting the unswitched phase
- \_ IDC (insulation displacement connection)
- \_ Electronically controlled battery charging
- \_ Deep discharge protection
- \_ Short-circuit-proof battery connection
- \_ Polarity reversal protection for battery

**Batteries**

- \_ High-temperature cells
- \_ NiCd or NiMH batteries
- \_ D, Cs or LA cells
- \_ Blade terminals for simple connection
- \_ 4-year design life
- \_ 1-year guarantee

**Website**

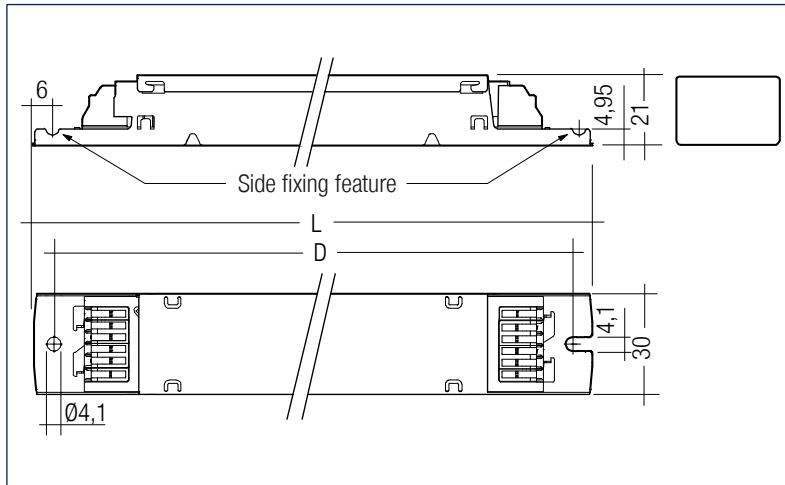
<http://www.tridonic.com/89899886>



**PC T5 COMBO Ip, 220 – 240 V 50/60 Hz**

Linear fluorescent lamps

The complete data sheet for this product is available in the Downloads section.



**Ordering data**

Type	Article number	Number of cells	Packaging, carton	Packaging, pallet	Weight per pc.
<b>Rated operating time 3 / 1 h</b>					
PC 2x35-6 T5 COMBO Ip	89899886	6	25 pc(s).	475 pc(s).	0.229 kg

**Technical data**

Rated supply voltage	220 – 240 V
Mains frequency	50 / 60 Hz
Mains voltage changeover threshold	According to EN 60598-2-22
Start time	~ 1.6 s
tc point max.	70 °C
tc point (PC 2x54-6 T5 COMBO Ip)	75 °C
Ambient temperature ta	0 ... +55 °C
Operating frequency (normal operation)	40 – 50 kHz
Operating frequency (emergency mode)	20 – 30 kHz
Overvoltage protection	320 V (for 1 h)
Battery charging time	24 h
Charge current 1 h	105 mA
Charge current 3 h	210 mA
Leakage current (PE)	< 0.5 mA
Min. lamp starting temperature (normal operation)	-15 °C
Min. lamp starting temperature (emergency mode)	0 °C
Type of protection	IP20

**Approval marks**



**Standards**

Acc. to EN 50172, Acc. to EN 60598-2-22, EN 61347-2-3, EN 61347-2-7, EN 60929, EN 55015, EN 61000-3-2, EN 61000-3-3, EN 61547, EN 60068-2-29, EN 60068-2-30, EN 60068-2-64

**Specific technical data**

Lamp type	Lamp wattage	Type	Article number	Dimensions L x W x H	Hole spacing D	Lamp power	Circuit power	Mains current	λ	Normal operation BLF	Emergency operation BLF	Emergency operation EBLF <sup>Ⓞ</sup>	Rated duration
<b>Rated operating time 3 / 1 h</b>													
T16 (T5)	2 x 35 W	PC 2x35-6 T5 COMBO Ip	89899886	425 x 30 x 21 mm	415 mm	71.4 W	84.4 W	0.370 A	0.98	1	0.130	0.075	3/1 h

Ⓞ According to EN 61347-2-7