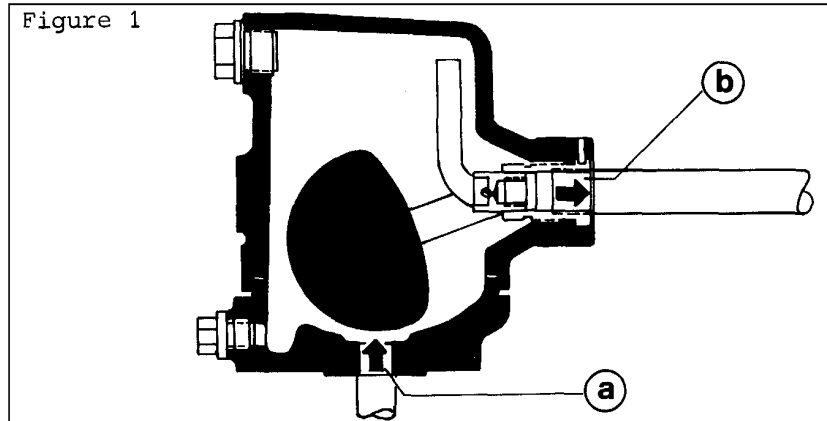


INSTALLATION AND OPERATING INSTRUCTIONS for Rifoair Venting Automat

Type: Minox Light, PN 16
Type: Minox G, PN 16
Type: Minox F, PN 16

Works Standard Sheet 18001
Works Standard Sheet 8170
Works Standard Sheet 8171



Functional Description:

With the float in the lower position the flow passage is open. Air and gases escape through the vertically installed upright immersion tube out of the outlet port. A rising liquid level raises the float which in turn closes the passage.

A. Installation:

1. Prior to installation remove plastic plugs from inlet (a) and outlet (b).
2. The venting unit is to be installed in the reversed position on the vertical standpipe as shown in figure 1.

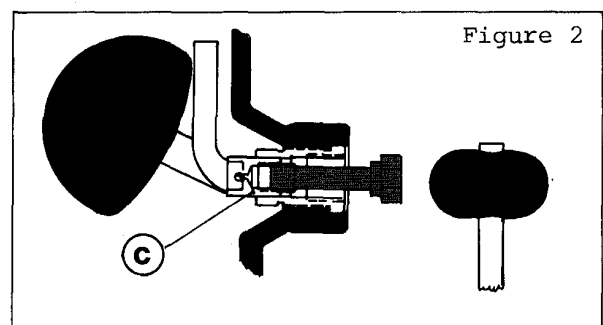
B. Removal and Disassembly of Venting Automat:

1. Prior to removal of the venting unit the system has to be in a depressurized state.
2. Evenly loosen and remove four housing lid bolts (the housing lid can remain connected with the vertical immersion tube).
3. Remove outlet pipe (b).
4. Remove main housing upwards.
5. If due to space limitation the main housing cannot be removed, remove entire unit.

C. Removal of Float Control Assembly:

Removal requires a threaded drift pin, which is inserted 3 to 4 turn into the R 1/4 inch thread of the support body (c). By tapping lightly with a mallet against the head of the drift pin (figure 2), the control assembly is being loosened from its conical seat.

The float control assembly consists of:
(c) Support body and immersion tube
(d) Rotary valve and cotter pin
(e) Float and lever.



RIFOX - Hans Richter GmbH Spezialarmaturen

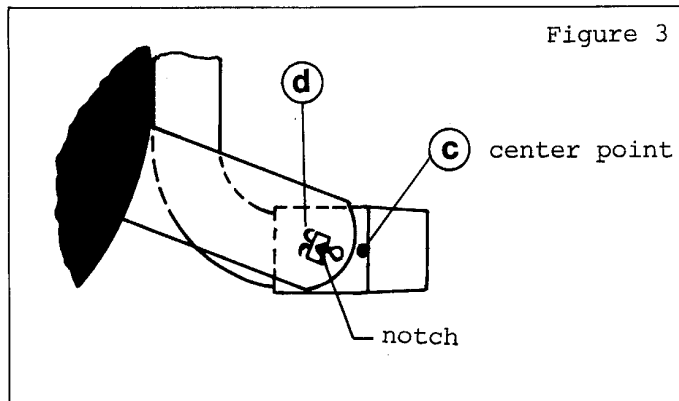
D - 28082 Bremen · Postfach 11 02 45 · Telefon +49 421/4 99 75 - 0 · Fax +49 421/4 99 75 - 40
www.rifox.de · info@rifox.de



INSTALLATION AND OPERATING INSTRUCTIONS for Rifoair Venting Automat

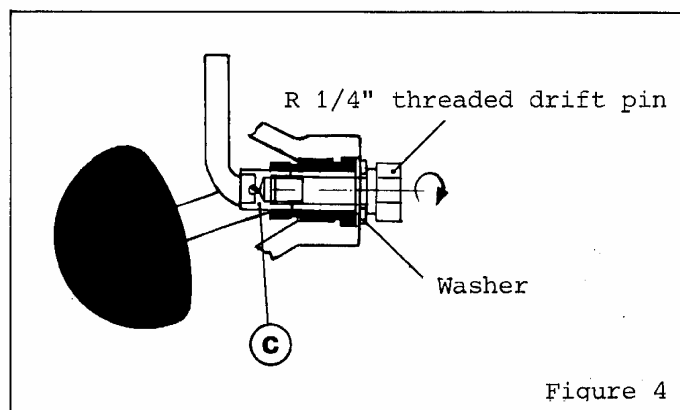
D. Disassembly of Float Control Assembly:

After removal of cotter pin, simply pull out rotary valve (d). Clean components with dry cleaning fluid. During assembly ensure that the notch on the rotary valve (d) is lined-up with the center point on the support body (c). Install new cotter pin.



E. Installation of Float Control Assembly:

Install float control assembly by inserting support body (c) into the conical housing seat (figures 4 and 1). Insert threaded drift pin in R 1/4 inch thread of support body and hand-tighten with a 22mm open-end wrench, pulling the support body in the conical seat. Remove drift pin. Apply a coat of molydeniumdisulfide paste (MolyCote) to threads of housing lid bolts, place housing lid on housing, insert bolts and secure lid by tightening bolts cross-wise.



RIFOX - Hans Richter GmbH Spezialarmaturen

D - 28082 Bremen · Postfach 11 02 45 · Telefon +49 421/4 99 75 - 0 · Fax +49 421/4 99 75 - 40
www.rifox.de · info@rifox.de

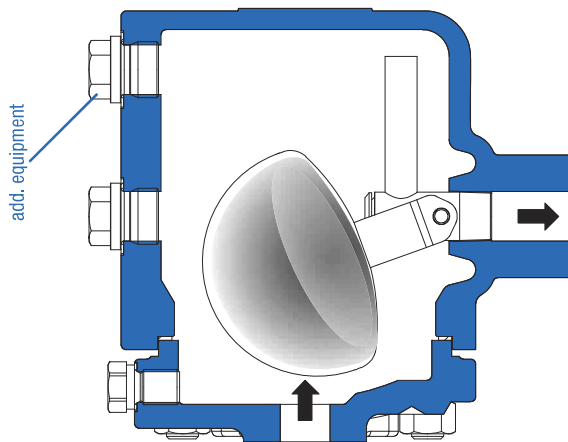




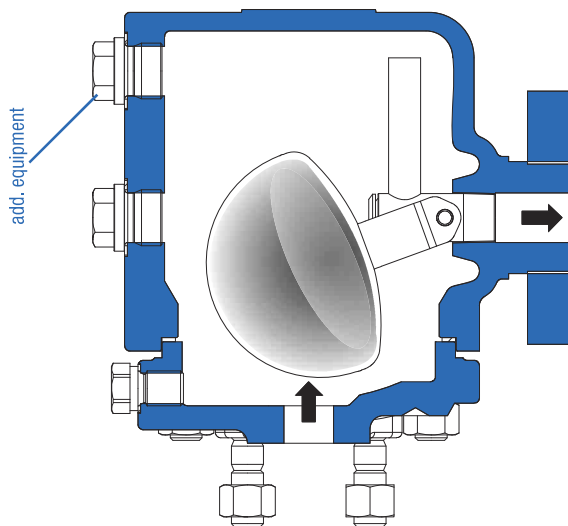
RIFOair Automatic Vent Valve - Model Minox G/ F

8170-8171

PN25

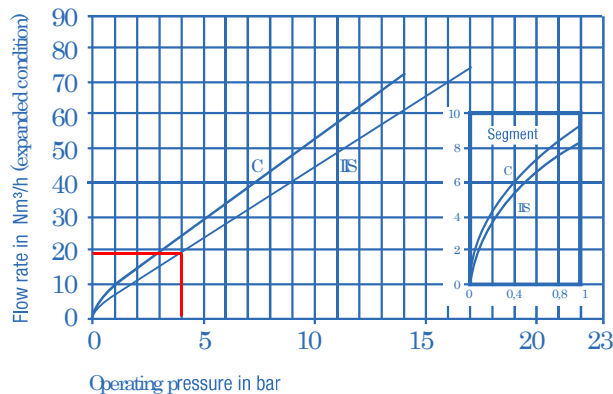


Model Minox-G-8170 Thread



Model Minox-F-8171 Flange

Performance



Housing-Material: EN-JS 1049

Nominal diameter: DN15

Connections:

- Flanges DN 15, acc. DIN EN 1092-2, PN 40
- Female thread G 1/2" (BSP) acc. DIN ISO 228-1
- Female thread 1/2" NPT acc. ANSI B 1.20.1

Nominal pressure stage: PN 25

**Operation pressure 4bar
Heavy fuel oil max. 150°C**

Operation Limits:

| | | | | |
|-------------------------------|-----|-----|-----|-----|
| Max. operating pressure bar g | 25 | 22 | 20 | 16 |
| Max. operating temperature °C | 100 | 200 | 300 | 350 |

Application: Venting of liquid carrying systems

Function: The float control assembly discharges air and gases from all liquid carrying systems without time lag, independent of pressure and temperature variations. With the float in the lower position the outlet cross-section is open. Air and gases escape through the upturned immersion tube. Rising of the liquid level lifts the float and closes the outlet.

Special characteristics: Only one movable point since the rotary-slide-valve is both swivel joint and shut-off device.

Installation: Entry from below, lateral exit

Additional equipment against extra prices:

- Locking screw G 1/2" (BSP)

To obtain a higher venting performance larger angular types of Rifax float-controlled condensate discharge units can be installed upside down. Depending on the size the venting performance will increase between two to twenty times.

Function limit:

| Cross-section | max. line pressure in bar g |
|---------------|-----------------------------|
| C | 14 |
| IIS | 17 |

CE - Mark:

The pressure equipment described is a pressure-keeping component in accordance with the Pressure Vessel Directive 2014/68/EU of DN15: acc. art. 4, sub3, no CE-mark.

Please state the following when making inquiries / placing orders: Medium, density, initial pressure, counter pressure, temperature, quantity of gas / air (Nm³/h).

H7008/7009/7010

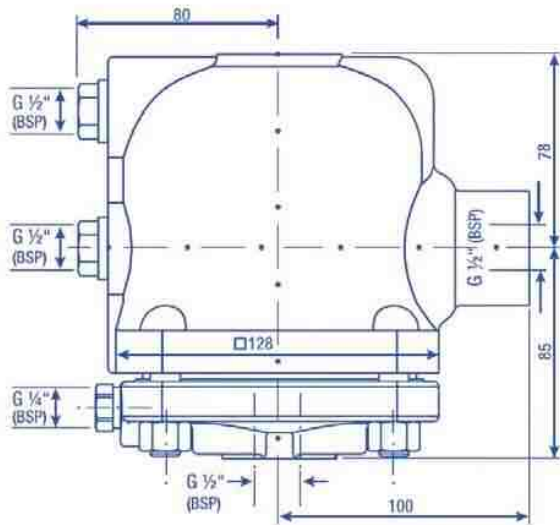
Estimated M/E maximum gas (water vapor) flow of fuel oil: 9.92Nm³/h



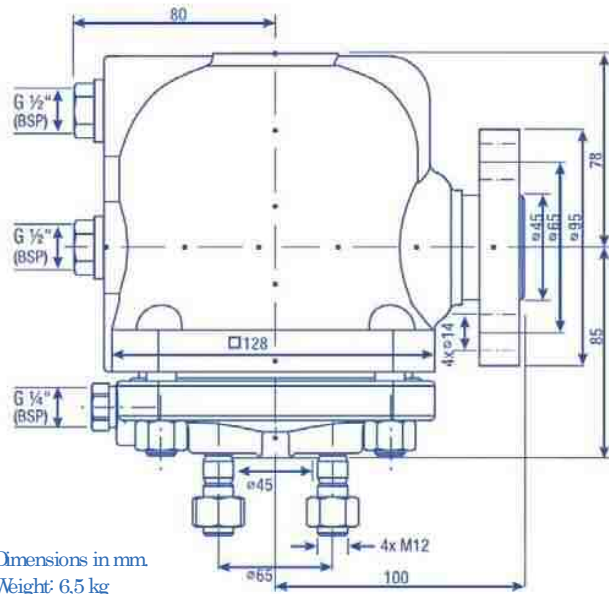
Installation Dimensions

8170-8171

PN25

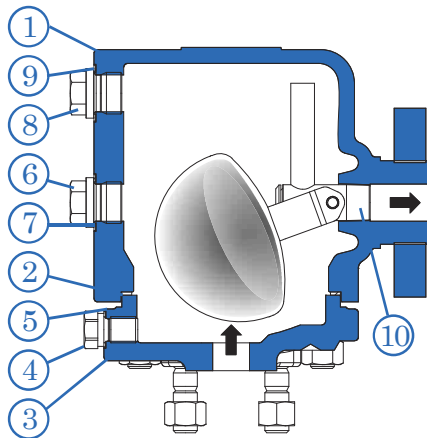


Dimensions in mm
Weight: 6 g



Dimensions in mm
Weight: 6,5 kg

Spare Parts



- 1 Husing lower part: EN:JS 1049
- 2 Husing seal: Novaphite
- 3 Husing upper part: EN:JS 1049
- 4 Control screw: 1.4104
- 5 Seal for control screw: Soft iron
- 6 Locking screw: DIN910 - 5.8 - G1/2" (BSP)
- 7 Seal for locking screw: Soft iron
- 8 Locking screw: DIN910 - 5.8 - G1/2" (BSP)
- 9 Seal for locking screw: Soft iron
- 10 Control unit**: 1.4057, 1.4301, 1.4104, 1.4112 or complete 1.4571*

* Depends on operating conditions.

** Due to sealing requirements, marked items cannot be supplied as individual parts.

To ensure correct parts delivery, specify part number, works standard sheet number and DN

