

Data sheet:
DC-Load break switch
Model S5000 – 250A 1000V DC21B



Electrical data (according to IEC 60947-3)

Thermal current I_{th} (40 °C)	315A
Rated insulation voltage U _i (V)	1000
Rated impulse withstand voltage U _{imp} (kV)	8

DC Rated operational current I_e (A)		
Voltage (DC)	Category of operation	I _e
400 V	DC21B	315
600 V	DC21B	315
800 V	DC21B	280
900 V	DC21B	260
1000 V	DC21B	250

Standards. IEC 60947-1&3

Quality Telergon, S.A.U.

ISO 9001 & 14001	TÜVRheinland®
------------------	---------------

Testing as per IEC 60947-3

Arsenal Research	arsenal research Ein Unternehmen der Austrian Research Centers
------------------	--

Short-circuit behaviour

Short-circuit making capacity (peak value)	I _{cm}	20kA
Short-time withstand current (1 sec) (rms)	I _{cw}	12kA
Conditional short-circuit current (rms value)		100kA
Maximum cut-off current (peak value)		33kA

Connection capacity

Bar (Thickness / Width) (mm)	7/25
Rigid cable (mm ²)	185
Max. Connecting copper bar (mm)	25
Tightening torque (N·m)	18

Codes

Case size (A)	Poles	Code	Code for direct handle
Size 1	4P	S5-03154PR0	DS-EI11

Mechanical data

Minimum number of operations (as per standard) without load	20000
Maximum weight (4 pole molded case) (kg)	1,9

- Accessories:** Panel handle - DS-EN11
 Bridging links - DS-PI11
 Auxiliary contact - D5LAU01
 Protective plate - DS-CU12
 Terminal shrouds – See below

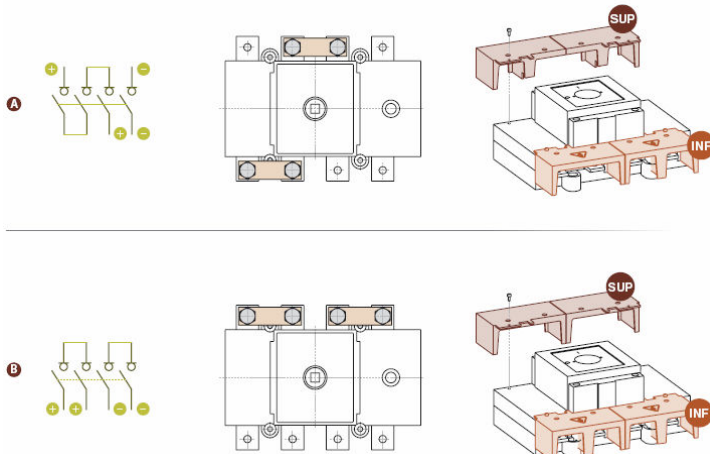
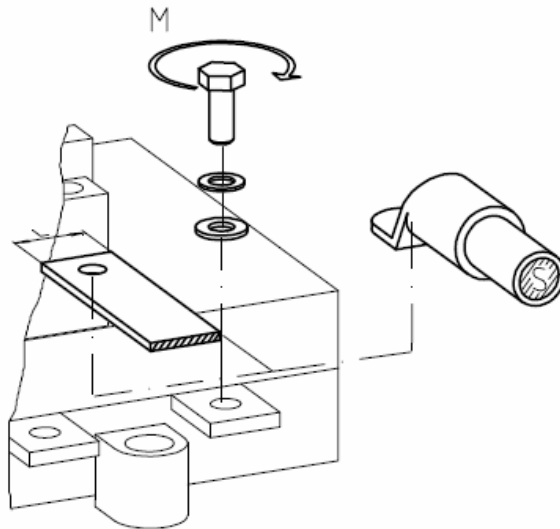
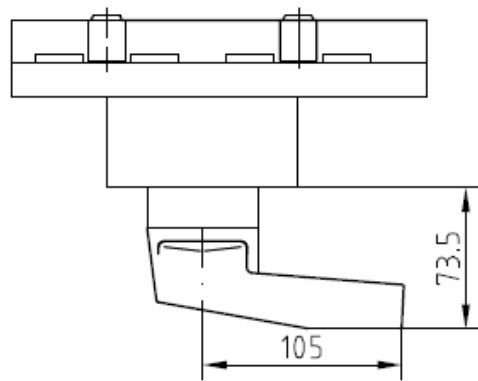
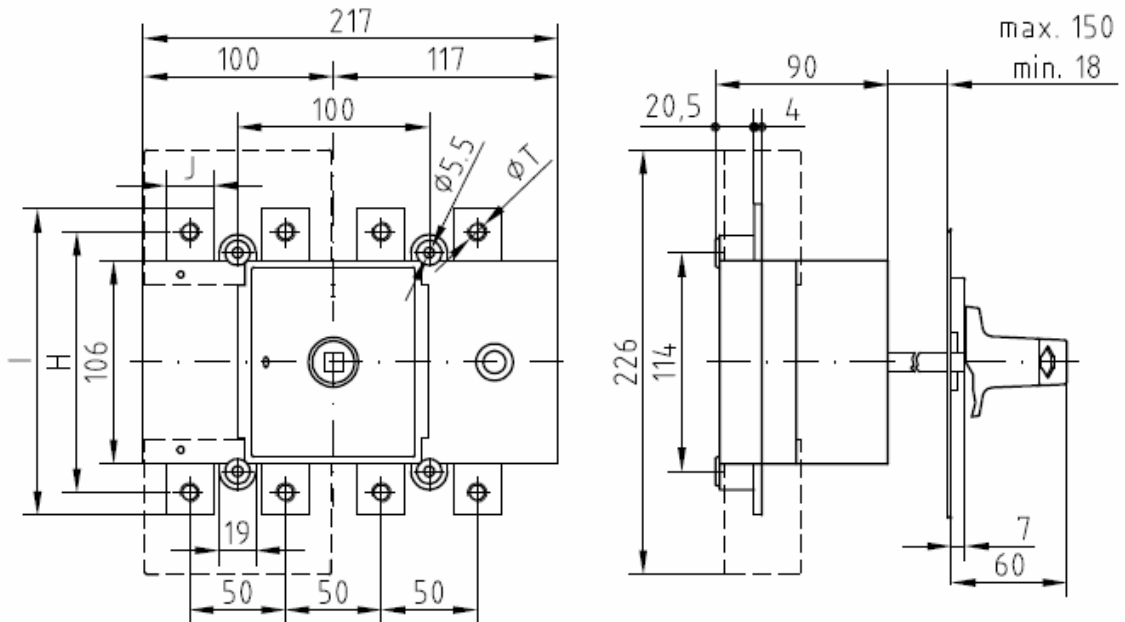


	Diagram	
	A	B
	DS-CU180U	DS-CU100U
	DS-CU190U	DS-CU11

Dimensions



S5000	I _{th}	H	I	J	ØT	M N×m	S max. (Cu)mm ²		
								H max. (Cu)mm	L max. (Cu)mm
1	315A	143	167	25	M10	18	185	7	25