



MEASUREMENT AND CONTROL

SEE MORE AT [SORInc.com](http://SORInc.com)

Request Quote

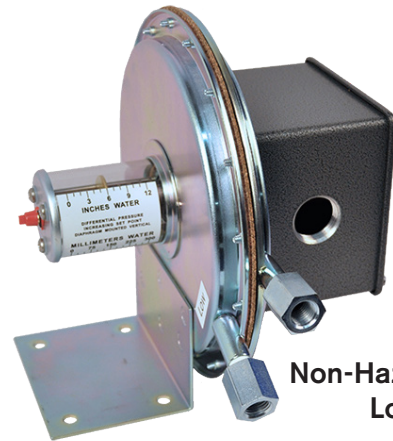
## 107 Low Differential Pressure Switches

### Low Differential Pressure Switches for Air & Gas Applications

**SOR® low differential pressure switches** are robust, field-mounted instruments designed for the process industries. These instruments accurately read very low pressures by utilizing a diaphragm with a large sensing area. The switching element is SPDT. An external Set Point adjustment with visual indication is standard, allowing for simplified calibration of the switch.

#### Applications

Built to high-quality standards for reliability, this switch is suitable for draft ranges commonly associated with HVAC applications and burner management systems. It is also suited for other industrial air and gas services which are compatible with the wetted parts. Standard models are available for weathertight or explosion-proof environments.



Non-Hazardous Locations



Hazardous Locations

#### Features and Benefits

- External Set Point adjustment with visual scale
- Fine Set Point resolution
- Narrow dead band
- High repeatability
- UL Listed and CSA Certified snap-action switching elements
- Screw terminals standard on weathertight switches; wire leads standard on explosion proof
- Rugged design
- 3-year warranty from date of manufacture

#### Agency Listings/Certifications

- Rostechnadzor (RTN) standard (certificate available upon request)

#### Safety Certified to IEC 61508 (SIL)

- SOR products are certified to IEC 61508 for non-redundant use in SIL1 and SIL2 Safety Instrumented Systems for most models. For more details or values applicable to a specific product, see the Safety Integrity Level Quick Guide (Form 1528).

# Low Differential Pressure Switches

## How to Order

Select model number from table. Accessory designators may be added after **F0A** if required.

Adjustable Range		Contact Rating		Model Number	Typical Dead Band	
in. wc	mm wc				in. wc	mm wc
0 to 12	0 to 305	15 amps 5 amps	250 VAC 30 VDC*	107AL - N12 - P1 - F0A	0.25	6.4
5 to 40	125 to 1000			107AL - N40 - P1 - F0A	0.3	7.5
0 to 12	0 to 305	0.4 amps	125 VDC*	107AL - K12 - P1 - F0A	0.3	7.5
5 to 40	125 to 1000			107AL - K40 - P1 - F0A	0.35	9.0

Product Specifications			
<b>Electrical Housing</b>		<b>Electrical Service</b>	
Type	Weathertight NEMA 4	Contact form	SPDT
Material	6063-T5 aluminum	* DC electrical ratings are for resistive loads only. They may not be agency approved, listed or certified, but have been verified by testing or experience.	
<b>Pressure Ports</b>		<b>Temperature Limits</b>	
Material	Plated cold-rolled steel	Ambient	-40 to 150°F (-40 to 65°C)
Connection size	1/8" NPT(F)	Process	-40 to 150°F (-40 to 65°C)
For 1/4" NPT(F), change F0A to F1A in selected model.		<b>Max System Pressure</b>	
<b>Wetted Materials</b>		10 psig (.69 bar)	
Buna-N, brass, aluminum, cork, stainless steel, acrylic tubing, nylon, plated cold-rolled steel		Vacuum protected to 30" Hg	
<b>Electrical Connection</b>		<b>Weight</b>	
3/4" NPT(F); screw terminals		Approximate 5 lb (2.3 kg)	

Design and specifications are subject to change without notice. For latest revision, see [www.sorinc.com](http://www.sorinc.com).

## Accessories

Description	Designator
CSA Certified differential pressure switch. (107AL only) (CSA type 4 enclosure)	CS
Canadian Registration Number (CRN) - Process ratings may be affected. Consult the factory for details.	CV
Factory Mutual Approved differential pressure switch. (107AL only) NEMA 4	FM
Pipe Stanchion mounting kit.	PK
Tag, fiber. Attached with plastic tie to housing. Contains customer P.O. number and specified tagging information.	PP
120 VAC powered DPDT Relay, contact rating: 10 amps @ 110 VAC, 10 amps @ 24 VDC	RC
220 VAC powered DPDT Relay, contact rating: 5 amps @ 220 VAC, 10 amps @ 24 VDC	RD
Tag, stainless steel. Attached with stainless steel wire to housing. Stamped with customer-specified tagging information. (2 lines, 18 characters and spaces per line.)	RR
Oversize nameplate. Stamped with customer-specified tagging information. (3 lines, 25 characters and spaces per line.)	TT
Fungicidal varnish. Covers exterior and interior except working parts.	VV

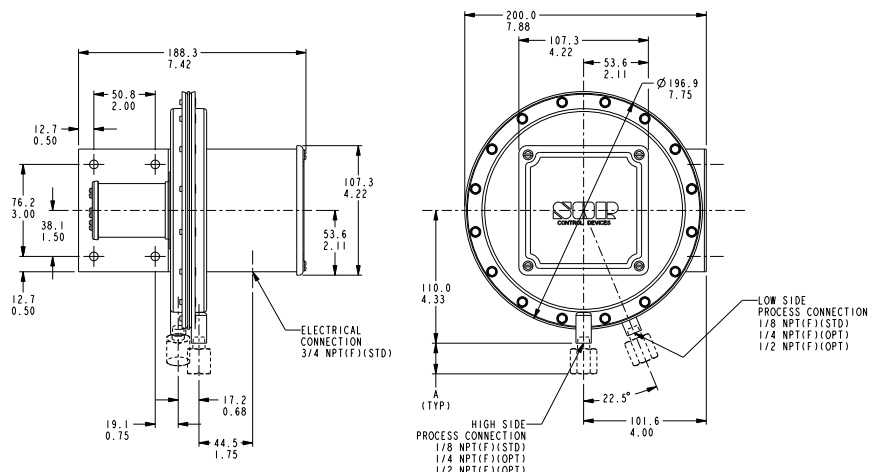
**NOTE:** see page 4 for Test Certificates

## Dimensions

Dimensions are for reference only. Contact the factory for certified drawings for a particular model number.

$$\text{Linear} = \frac{\text{mm}}{\text{in.}}$$

Drawing 0090594



# Low Differential Pressure Switches

## How to Order

Select model number from table. Accessory designators may be added after **F0A** if required.

Adjustable Range		Contact Form	Model Number	Typical Dead Band	
in. wc	mm wc			in. wc	mm wc
0 to 12	0 to 305	SPDT	107EL - EF12 - P1 - F0A	0.3	7.5
		DPDT	107EL - EG12 - P1 - F0A	0.5	13
5 to 40	125 to 1000	SPDT	107EL - EF40 - P1 - F0A	0.6	15
		DPDT	107EL - EG40 - P1 - F0A	0.8	20

## Product Specifications

### Electrical Housing

**Type** Contains explosion-proof hermetically sealed switching element. See Electrical Service. Class I, Groups A, B, C, D; Class II, Groups E, F, G; Divisions 1 & 2 Weathertight

### Body Material

356-T6 aluminum

### Pressure Ports

**Material** Plated cold-rolled steel  
**Connection size** 1/8" NPT(F)  
For 1/4" NPT(F), change F0A to F1A in selected model.

### Wetted Materials

Buna-N, brass, aluminum, cork, stainless steel, acrylic tubing, nylon, plated cold-rolled steel

### Electrical Connection

1/2" NPT(M); 18" stranded wire leads, 18-AWG color-coded and marked.

### Temperature Limits

**Ambient** -40 to 150°F (-40 to 65°C)  
**Process** -40 to 150°F (-40 to 65°C)

**Electrical Service** Contact ratings 5 amps 250 VAC  
\* 5.0 amps 30 VDC  
\* 0.5 amps 125 VDC

The hermetically sealed switching element capsule is UL Listed, CSA Certified and SAA Approved as an explosion-proof snap switch per the following table.

Agency	Hazardous Location Conditions
UL	Weathertight Class I, Groups A, B, C, & D; Class II, Groups E, F, & G; Divisions 1 & 2
CSA Certified	Class II, Groups E, F, & G; Divisions 1 & 2
SAA Approved	Ex s Zone 2 IIC T4 IP65 Ex tD A22 T105°C IP65
ATEX Approved	II 2 EEx m II

\*DC electrical ratings are for resistive loads only. DC ratings are not agency approved or listed but have been verified by testing or experience.

**Max. System Pressure** 10 psig (.69 bar)  
Vacuum protected to 30" Hg

**Weight** Approximate 5 lb. (2.3 kg)

Design and specifications are subject to change without notice. For latest revision, see [www.sorinc.com](http://www.sorinc.com).

## Accessories

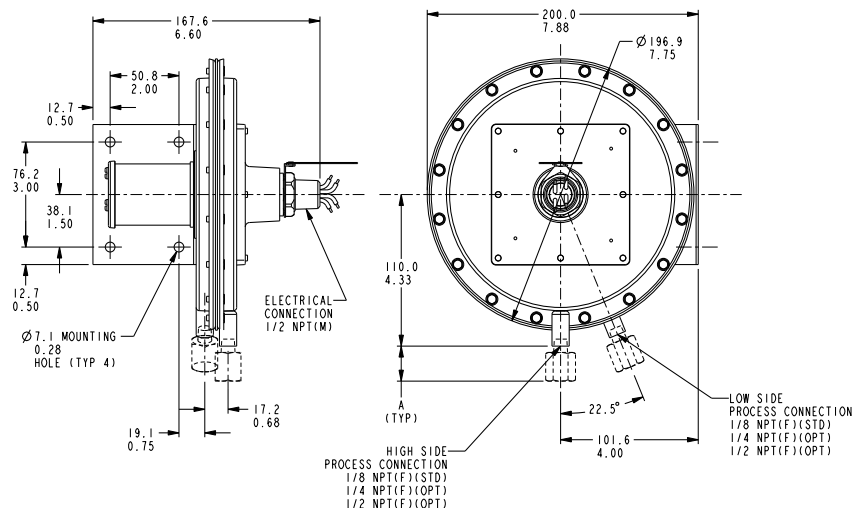
Description	Designator
Canadian Registration Number (CRN) - Process ratings may be affected. Consult the factory for details as required.	CV
Explosion-proof and weathertight junction box with screw terminals. Aluminum 3/4" NPT(F) top or right conduit connections. UL Listed and CSA Certified Class I, Groups A, B, C, & D; Class II, Groups E, F, & G; Divisions 1 & 2. Includes cover o-ring for weathertight applications. Only available with 'EL' housing.	TB*

\* Agency ratings for SOR product sold with junction boxes will be limited to either the rating of the instrument housing or the junction box, whichever is lower.

**NOTE:** see page 4 for Test Certificates

## Dimensions

Dimensions are for reference only. Contact the factory for certified drawings for a particular model number.



Linear =  $\frac{\text{mm}}{\text{in.}}$

Drawing 0090593

# Low Differential Pressure Switches

## Test Certificates

Certificates	C1	C2	C3	C4	C5	C6	C8	B1	B4	B5	B6	B7	A1	A2	A3	A4	A5	A6	A7	A8
Calibration	◆							◆	◆	◆	◆	◆	◆	◆	◆	◆	◆	◆	◆	◆
Hydrostatic Pressure Test		◆						◆	◆					◆	◆	◆	◆	◆	◆	◆
Inspection Report			◆					◆	◆	◆	◆	◆			◆	◆		◆	◆	◆
Compliance / Conformance				◆									◆	◆	◆		◆	◆		◆
Dielectric Test					◆				◆	◆										◆
Insulation Resistance						◆			◆	◆	◆							◆	◆	◆
Typical Material of Wetted Parts							◆	◆	◆				◆				◆	◆		



MEASUREMENT AND CONTROL

SOR Inc. | Lenexa, KS USA | 913-888-2630 | Fax 913-888-0767 | [SORInc.com](http://SORInc.com)

### REGIONAL OFFICES

#### China

SOR China | Beijing, China | [china@SORInc.com](mailto:china@SORInc.com)  
+86 (10) 5820 8767 | Fax +86 (10) 58 20 8770

#### Middle East

SOR Measurement & Control Equipment Trading DMCC | Dubai, UAE  
[middleeast@SORInc.com](mailto:middleeast@SORInc.com) | +971 4 363 3637 | Fax + 1 913 312 3596