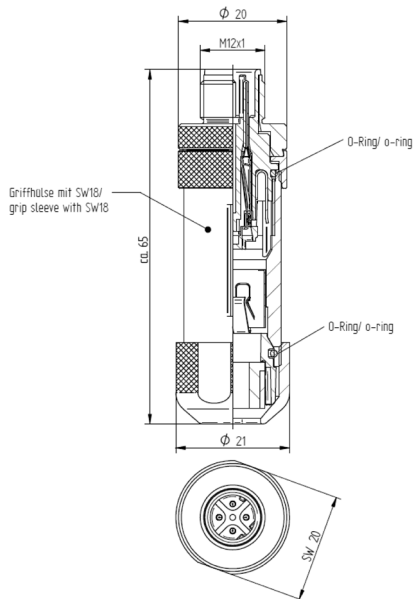


Industrial Ethernet Field Attachable Connectors for PROFINET or Ethernet/IP Applications



Type	0986 EMC 102
Product description	Field attachable connector, M12 male connector, 3- and 4-pole with threaded joint, shieldable, assembling with spring-type terminals. 0986 EMC 102: 4 poles, D coding, especially suitable for Industrial EtherNet data cable 0985 342 000/... M
Environmental	
Degree of protection	IP 67 / NEMA 6P
Operating temperature range	-25°C (-13°F) / +90°C (+194°F)
Mechanical	
Housing / Molded body	GD-ZnAl, pre-coppered and nickel-plated
Pins	4D
Cable diameter range	Ø 4.0-9.0 mm
Insert	PBT
Contacts	Stainless steel, silver-plated, gold-plated
Receptacle	CuZn, nickel-plated
Shield sleeve	CuBe, tin-plated
O-ring	FKM
Mode of connection	Spring-type terminals
Connectable conductor	0.14–0.50 mm ² , 0.14 mm ² with terminal pin sleeve
Electrical	
Contact resistance	≤ 5 mΩ
Nominal current at 40°C	4 A
Nominal voltage	120 V
Rated voltage	125 V
Test voltage	1.5 kV eff. / 60 s
Insulation resistance	> 109 Ω
Pollution degree	3

The application of these products in harsh environments should always be checked before use. Specifications subject to alteration.

Pin assignment

M12, Male, 4-poles D-coding



Part number	Order number
0986 EMC 102	900001428

