



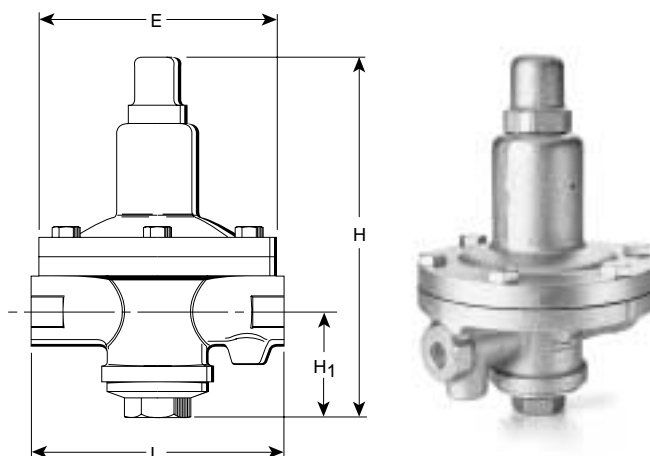
# GD-6N (Steam), GD-6 (Liquid, Gas)

## For Steam, Air and Water

The GD-6N and GD-6 are compact, direct acting diaphragm valves ideal for low-flow applications, including laundry/dry cleaning equipment, hospital equipment, tire/plastic molds and food processing. Lightweight and compact, the valves require no external sensing lines or additional parts.

External adjusting screw with locking nut and cover make for quick, easy setting and adjustment. Tight shutoff for dead-end service. Removable stainless steel diaphragm, hardened stainless steel working parts (6N), integral removable strainer (6N) and in-line renewable valve and seat.

Available in 3/8", 1/2", 3/4" and 1" sizes with a choice of two set pressure spring ranges.



For a fully detailed certified drawing, refer to CDY #1040.

Pressure and Temperature Controls

### GD-6N/GD-6 Specifications

Model	Application	Inlet Pressure psig (bar)	Reduced Pressure psig (bar)	Spring Color	Minimum Differential psig (bar)	Maximum Temperature °F (°C)	Materials			
							Body	Main Valve	Valve Seat	Diaphragm
GD-6N	Steam	15 - 150 (1 - 10)	3 - 15 (.21 - 1.0)	Yellow Stripe	7 (.48)	450 (232)	Cast Iron ASTM A278	Stainless Steel AISI 304	Stainless Steel AISI 420	Stainless Steel AISI 304
GD-6	Liquid Gas		15 - 60 (1 - 4)	Yellow/ Blue Stripe		175 (79)		Brass (w/Disc) ASTM B16	Bronze ASTM B584	

### GD-6N Capacities—Steam

Inlet	Outlet	lb/hr				kg/hr					
		Connection Size in				Connection Size mm					
psig		3/8	1/2	3/4	1	bar	10	15	20	25	
15	3-8	18	25	51	76	1.0	2.6	8.2	11.3	23.1	34.5
20	13	12	17	34	51	1.4	.9	5.4	7.7	15.4	23.1
	3-10	21	30	59	89		.2 - .7	9.5	13.6	26.8	40.4
25	18	14	20	41	61	1.7	1.2	6.4	9.1	18.6	27.7
	3-12	24	34	68	102		.2 - .8	10.9	15.4	30.8	46.3
30	23	16	23	47	71	2.1	1.6	7.3	10.4	21.3	32.2
	3-15	27	38	76	115		.2 - 1	12.2	17.2	34.5	52.2
40	32	21	30	60	90	2.8	2.2	9.5	13.6	27.2	40.8
	4-20	33	47	94	140		.3 - 1.4	15.0	21.3	42.6	63.5
50	40	25	36	73	109	3.4	2.8	11.3	16.3	33.1	49.4
	5-25	39	55	111	166		.3 - 1.7	17.7	24.9	50.3	75.3
60	48	30	43	55	128	4.1	3.3	13.6	19.5	24.9	58.1
	6-30	45	64	128	192		.4 - 2.1	20.4	29.0	58.1	87.1
75	60	37	52	104	156	5.2	4.1	16.8	23.6	47.2	70.8
	7-37	54	77	153	230		.5 - 2.6	24.5	34.9	69.4	104.3
100	65	61	87	173	260	6.9	4.5	27.7	39.5	78.5	117.9
	10-50	69	98	196	294		.7 - 3.4	31.3	44.5	88.9	133.4
125	84	119	239	358		8.6	9 - 4.1	38.1	54.0	108.4	162.4
	150	142	283	425			10.3	1 - 4.1	44.9	64.4	128.4

NOTE: For air capacities scfm (m<sup>3</sup>/hr) multiply steam capacities by 0.36. Maximum pressure reduction ratio 10:1.

### GD-6N/GD-6 Dimensions and Weights

Symbol	Connection Size							
	in	mm	in	mm	in	mm	in	mm
L	6-1/2	165	6-1/2	165	7-1/4	185	7-1/4	185
H	9-1/2	237	9-1/2	237	10-1/4	261	10-1/4	261
H <sub>1</sub>	2-1/4	57	2-1/4	57	3	76	3	76
E	6-1/8	155	6-1/8	155	7	175	7	175
Wt lb (kg)	12 (5.5)		12 (5.5)		18 (8.2)		18 (8.2)	
C <sub>v</sub>	.35		.5		1.0		1.5	

Also available with BSPT threads. Consult factory.

NOTE: GD-6/6N capacities cannot be determined with a formula—consult capacity tables. Reference note under formula key on page PTC-8.

### GD-6 Capacities—Water

ΔP	gpm				l/min				
	Connection Size in				Connection Size mm				
psig	3/8	1/2	3/4	1	bar	10	15	20	25
5	.8	1.1	2.2	3.4	.35	3.0	4.2	8.3	12.9
10	1.1	1.6	3.2	4.7	.7	4.2	6.0	12.1	17.8
15	1.4	1.9	3.9	5.8	1.0	5.3	7.2	14.8	22.0
25	1.8	2.5	5.0	7.5	1.7	6.8	9.5	18.9	28.4
50	2.5	3.5	7.1	10.6	3.5	9.5	13.2	26.9	40.1
75	3.0	4.3	8.7	13.0	5.2	11.4	16.3	32.9	49.2
100	3.5	5.0	10.0	15.0	6.9	13.2	18.9	37.9	56.8
125	3.9	5.6	11.2	16.8	8.6	14.8	21.2	42.4	63.6
147	4.2	6.1	12.1	18.2	10.0	15.9	23.1	45.8	68.9

All dimensions and weights are approximate. Use certified print for exact dimensions. Design and materials are subject to change without notice.