

# Air unit - Lubricator

Operation specification and Flow characteristics

CHELIC PNEUMATIC



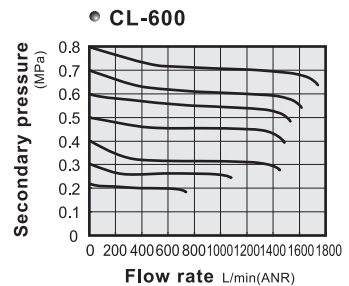
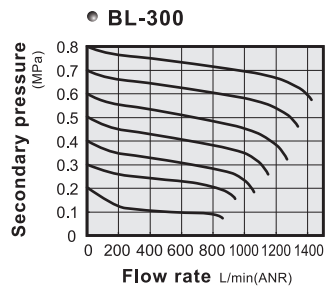
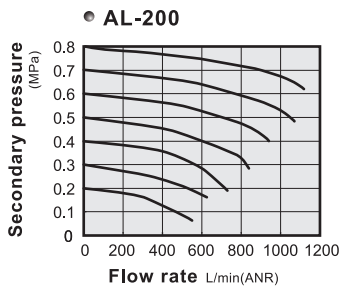
Symbol :



## Specifications

Item	Model	AL-150 (200)	BL-200 (300)	CL-400 (600)
Fluid		Air		
Port Size	Rc	1/8", (1/4")	1/4", (3/8")	1/2 , (3/4")
Pressure range	kgf/cm <sup>2</sup> (kpa)	0.5~8.5 (50~850)		
Max. pressure	kgf/cm <sup>2</sup> (kpa)	9.5 (950)		
Ambient and fluid temperature	°C	5~60		
Lubricator oil storing capacity	cc	25	90	160
Recommended lubricants		Lubricant class 1 ( ISO - VG32 ) or equivalent		
Weight	kg	0.17	0.36	0.42
Material	Body	Aluminum die-casted		
	Bowl	Polycarbonate		

## Flow characteristics





# Air unit - Lubricator

Order expression and Bowls type

CHELIC PNEUMATIC

## How to order

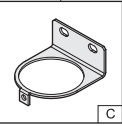
AL - 200 - G - BG - C

Model (1) Port size (2) Thread type (3) Bowl type (4) Bracket (5)

Model	Code	150	200	300	400	600
Port connection	Port size	1/8	1/4	3/8	1/2	3/4
	AL	●	●			
	BL		●	●		
CL				●	●	

None	G	N
RC	G type	NPT
●	●	●
●	●	●
●	●	

Bowl type	
None	Other bowl type
PC (Short bowl)	option
Bowl guard (standard)	option
Bowl guard (standard)	option



■ None : Without bracket  
 □ C : With bracket (option)

※ LUBRICATOR series  
 AL : Mini size  
 BL : Medium size  
 CL : Large size

※ Please see the below table in detail.

## Bowl and Drain cock type ← (4)

### A series (4)

Bowl type	PC bowl	Bowl guard
Drain cock type	None	-BG
AL-150	● (standard)	● (option)
AL-200	● (standard)	● (option)

### B,C series (4)

Bowl type	Bowl guard
Drain cock type	None
BL-200	● (standard)
BL-300	● (standard)
CL-400	● (standard)
CL-600	● (standard)

🔍 Note : (standard) : Standard accessory ; (option) : Optional accessory.

**AC/BC/CC**  
F.R.L.  
Combinations

**AFC/BFC/CF**  
FR.L.  
Combinations

**FR**  
Filter  
regulator

**F**  
Air filter

**R**  
Regulator

**L**  
Lubricator

**PFC/PFR**  
**PF/PL**

**A/B/C**  
Mounting  
bracket

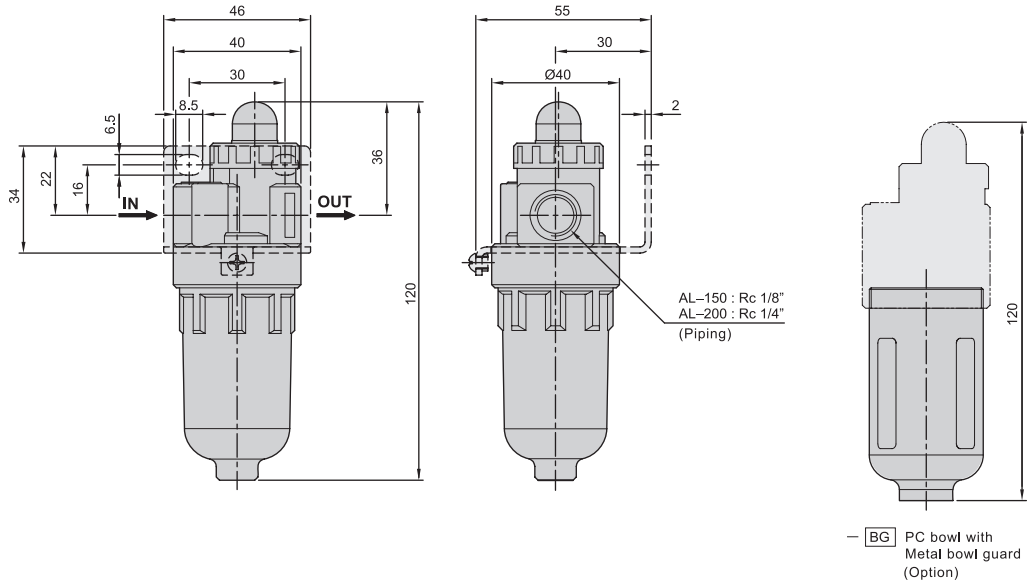


# Air unit - Lubricator

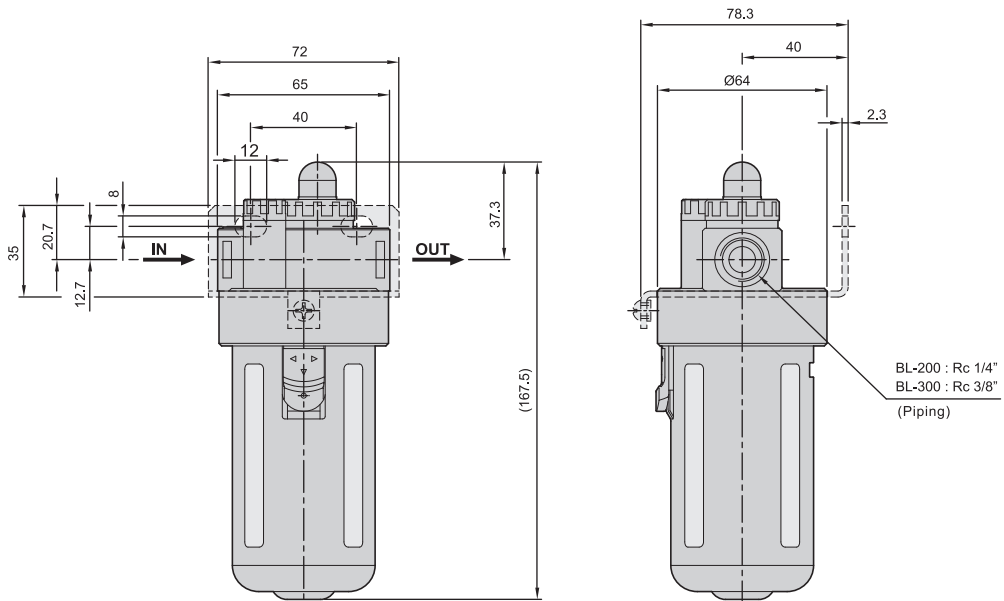
## External dimensions

CHELIC PNEUMATIC

### AL - 150



### BL - 200



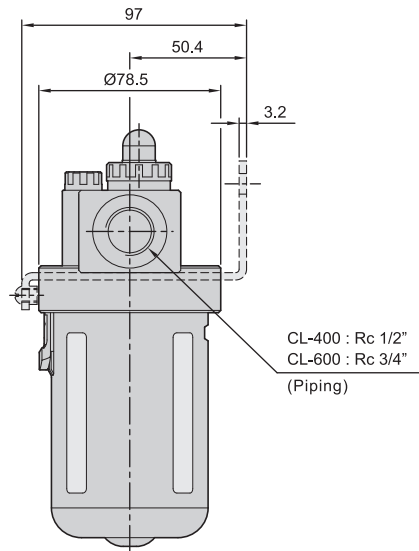
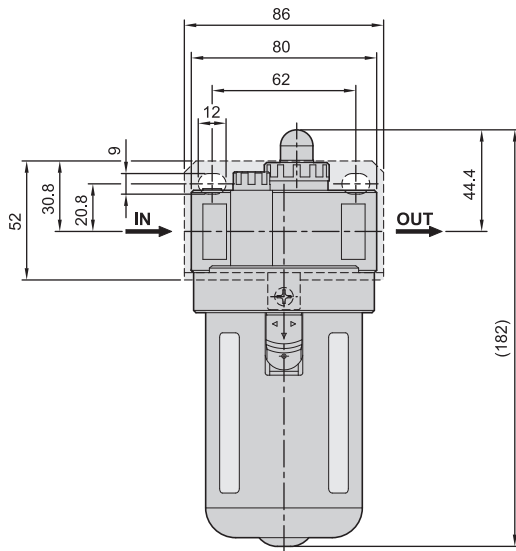


# Air unit - Lubricator

External dimensions

CHELIC PNEUMATIC

CL - 400



- AC/BC/CC**  
F.R.L.  
Combinations
- AFC/BFC/CFC**  
FR.L.  
Combinations
- FR**  
Filter  
regulator
- F**  
Air filter
- R**  
Regulator
- L**  
Lubricator
- PFC/PFR**  
**PF/PL**
- A/B/C**  
Mounting  
bracket