

rope length transmitter of series SL3000 - type: SL3010-PK1023MII/GS130/G

FSG Fernsteuergeräte
Mess- und Regeltechnik GmbH
D-15712 Königs-Wusterhausen
OT Kablov, Mühlenweg 2-3



technical details:

measuring range : 0-10m
pull-off length : 10,2m
casing material : AlMgSiF22 anodized
spring casing : plastic, Noryl black

measuring wire- \varnothing : 1,35mm (stainless steel 1.4401)
circumference of drum : approx. 334,1mm
measuring accuracy : $\pm 0,05\%$
spring casing : left

spring return : 1 spring cartridge
-initial force : 15N
-ultimate power : 21N

temperature range : $-30^{\circ} \dots +70^{\circ}C$
max. adjustment speed : 4 m/sec
lifetime (*) : 1 mio. cycle
protection class : IP 64
weight : approx. 3,0kg

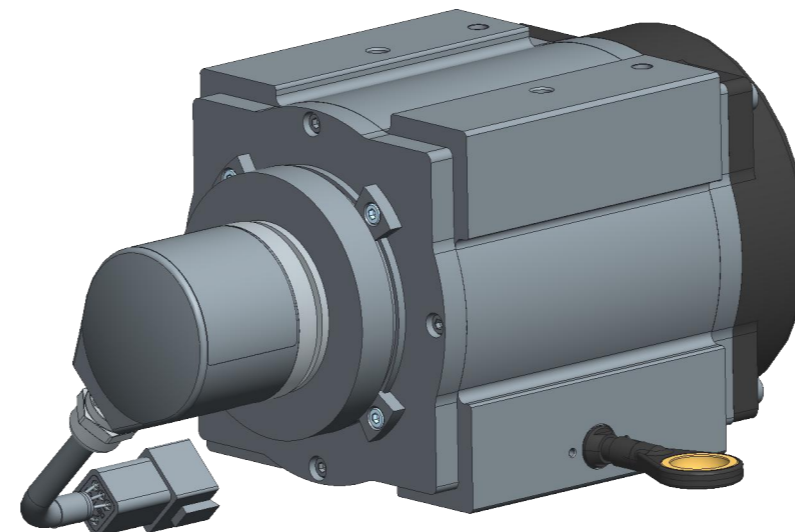
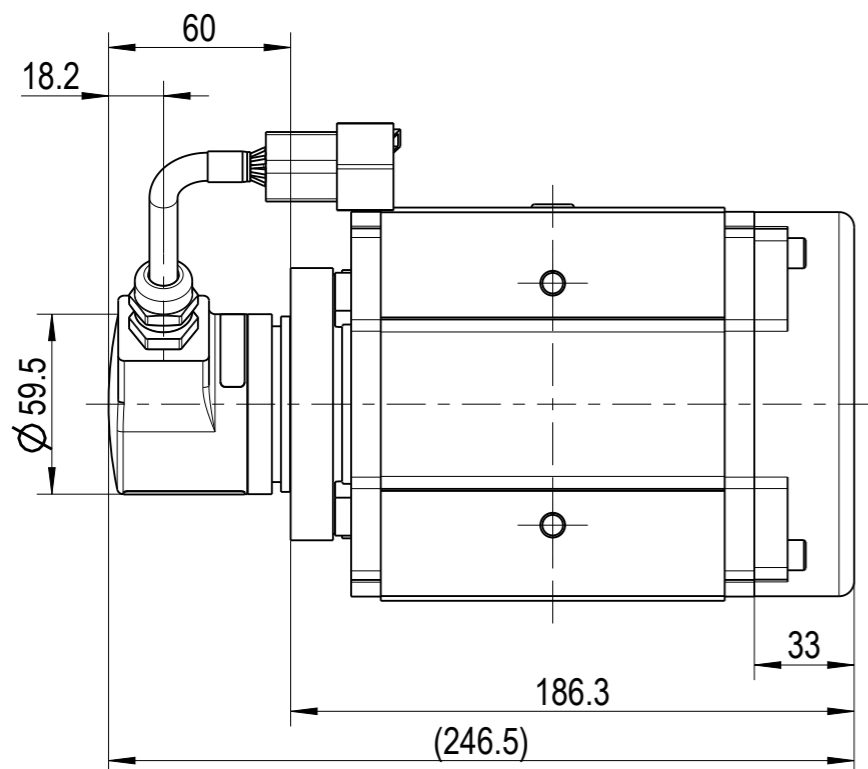
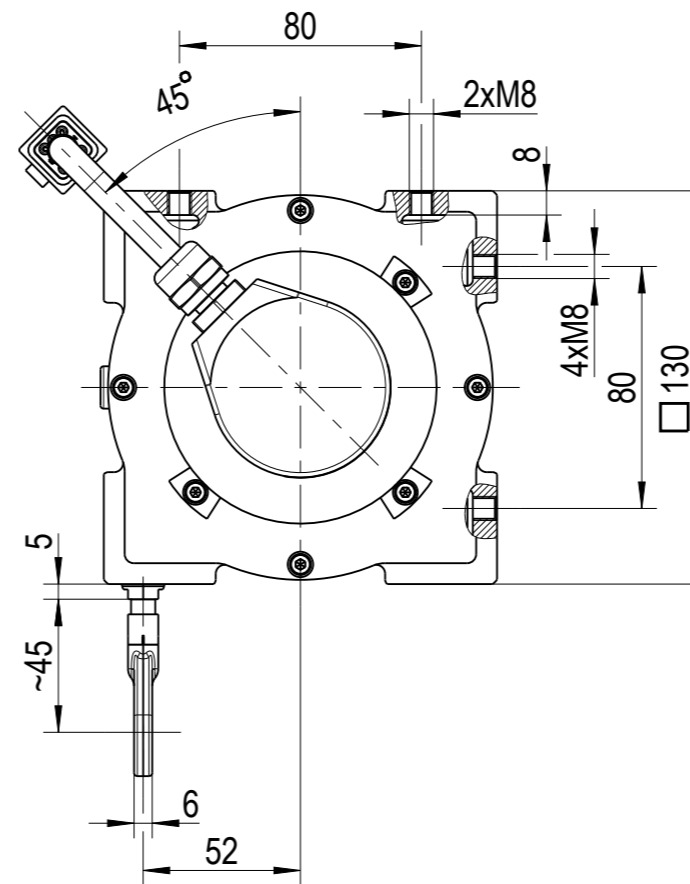
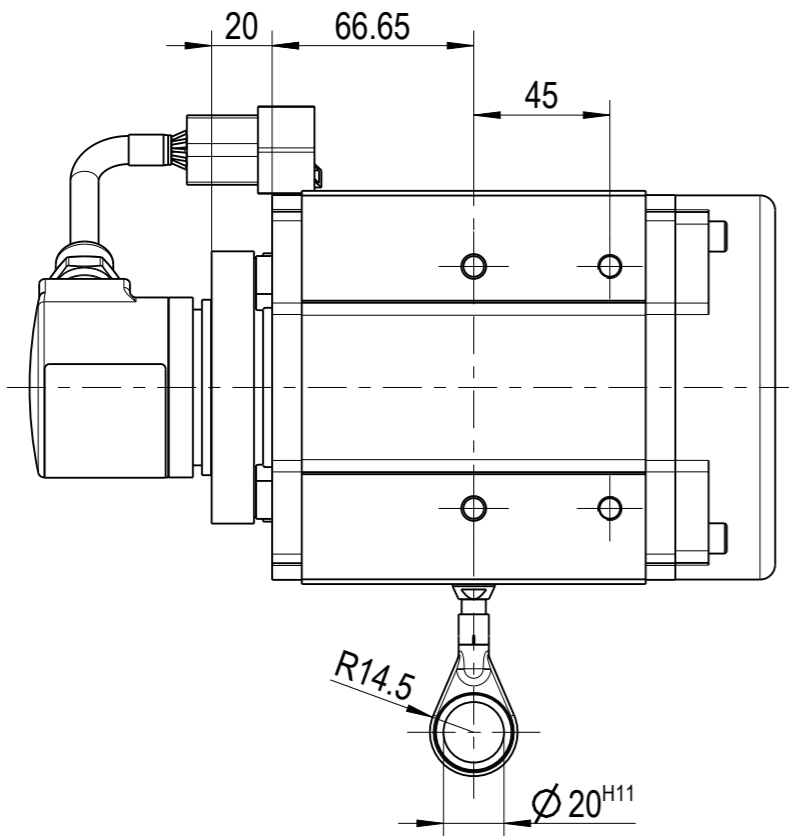
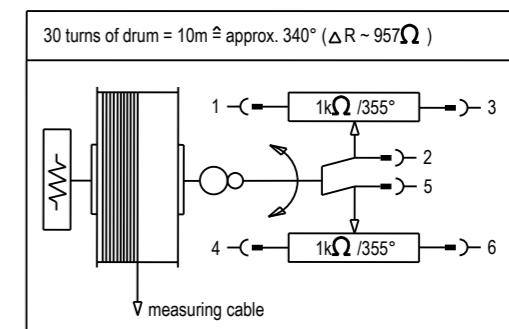
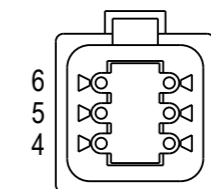
(*) correspond to the application

encoding system:

precision plastic potentiometer
type: PK1023MII

protection class: IP 65
electrical connection via cable
cable length : 1m
with mounted Deutsch connector, 6 poles
slider overrun
in opposite direction
resistance : $2 \times 1k\Omega \pm 10\%$
active angle : 355°
linearity : $\pm 0,1\%$

pin assignment:



cable 6x0,75mm²
outside diameter 7,3
cable length 1m

with Deutsch-plug 6 poles
type: DT04-6P

Diese Unterlage ist unser Eigentum

5930Z01-072M028E

/0

ID-no.:

FSG-article-no.: 5930Z01-072.028

customer:

Datei: 5930Z01_072M028E .dwg

Blatt 1/1

M 2:5

Datum	13.10.15
gezeichnet	C.Dierich
geprüft	Henkel